

# Telescoping Pipe Stand



The nVent CADDY Telescoping Pipe Stand is an adjustable and flexible solution for supporting horizontal pipe runs using a traditional V-Saddle or bolt flange attachment method. The design ensures a faster installation that quickly adapts to a variety of pipe sizes and heights from the floor. The unique V-bolt fastener—with built in nVent CADDY Rod Lock Technology and flange attachment tabs—can adapt to a large range of bolt patterns, sizes and pipe diameters, ultimately reducing inventory and the amount of components needed with over two-thirds savings. Offering a complete out-of-the-box assembly, the nVent CADDY Telescoping Pipe Stand is a contemporary solution for pipe runs.

## VLASTNOSTI

Supports and fastens low-to-the-ground horizontal pipe runs

Telescoping post provides fast vertical height adjustment

Designed to minimize fabrication and reduce installation time of a complete stand compared to traditional methods

Integrated weep hole at bottom of stand provides drainage for condensation

Includes four holes for anchoring base to floor

Conforms with Federal Specification WW-H-171 (Type 36, 37, 38, 39), Manufacturers Standardization Society ANSI/MSS SP-58 (Type 36, 37, 38)

## SPECIFIKACE

<b>Static Load Safety Factor:</b>	3.5:1
<b>Povrchová úprava:</b>	Electrogalvanized
<b>Materiál:</b>	Ocel

Table 1/2

Katalogové číslo	Article Number	A	B	C	D	E
CTS10	580066	406.40 - 657.22 mm	365.1 mm	215.9 mm	165.1 mm	134.92 - 260.35 mm
CTSS10		406.40 - 657.22	365.1 mm	215.9 mm	165.1 mm	134.92 - 260.35 mm
CTS10A24		192.1	685.8 mm	33.9 mm		

Table 2/2

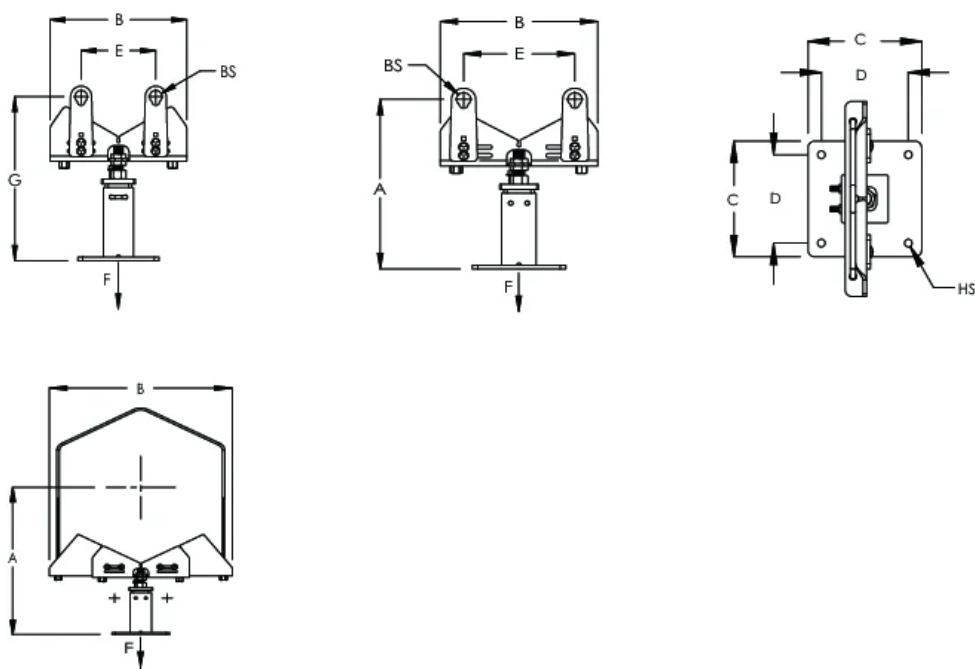
Katalogové číslo	Article Number	G	Hole Size (HS)	Static Load	Unit Weight
CTS10	580066	607.999 - 1020.749 mm	14.3 mm	7700N	16.1 kg
CTSS10		404.799 - 595.299 mm	14.29 mm	7700N	14.3 kg
CTS10A24					3.4 kg

## DALŠÍ PODROBNOSTI O PRODUKTU

When insulating pipe install V-bolt after insulation.

Telescoping pipe stand can accommodate pipes up to 24" when v-bolt is removed. Installer must determine weight of the pipe and proper spacing when supporting larger sizes.

## DIAGRAMS



## UPOZORNĚNÍ

Produkty nVent musí být instalovány a používány pouze tak, jak je uvedeno v instrukčních listech a materiálech pro školení nVent. Instrukční listy jsou k dispozici na [www.nvent.com](http://www.nvent.com) a od vašeho zástupce zákaznického servisu nVent. Nesprávná instalace, zneužití, nesprávné použití nebo jiný nedostatek úplného dodržování pokynů a varování nVent může způsobit selhání produktu, poškození majetku, vážné zranění osob a smrt a/nebo zrušit vaši záruku.

**North America**

+1.800.753.9221

Option 1 – Customer Care

Option 2 – Technical

Support

**Europe**

Netherlands:

+31 800-0200135

France:

+33 800 901 793

**Europe**

Germany:

800 1890272

Other Countries:

+31 13 5835404

**APAC**

Shanghai:

+ 86 21 2412 1618/19

Sydney:

+61 2 9751 8500



Naše portfolio silných značek:

**CADDY**

**ERICO**

**HOFFMAN**

**ILSCO**

**SCHROFF**

**TRACHTE**

