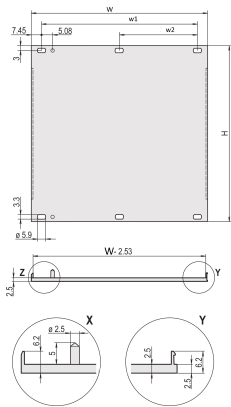


Front Panel, U-profile, Retrofit Shielding



U-profile front panel for textile EMC gasket.

CERTIFICATIONS



VLASTNOSTI

U-profile, front panel, Al, 2.5 mm, front anodized, rear conductive

For EMC textile gasket

SPECIFIKACE

Hloubka (D):	2.5mm
Materiál:	Hliník
Povrchová úprava:	Anodized; Passivated
Accessory Type:	Front panel
Product Type:	Front Panel
Typ:	Front Panel without Handle
EMC Shielding:	No (Retrofittable)

Table 1/3

Katalogové číslo	Rack Height	Rack Width	Množství v balení	Mounting	Gasket Type	Front Finish
------------------	-------------	------------	-------------------	----------	-------------	--------------

30848-385	3U	9HP	1	Screw-on Front	Textile EMC	Anodized
30848-354	3U	4HP	1	Screw-on Front	Textile EMC	Anodized
20848-120	6U	28HP	1	Screw-on Front	Textile EMC	Anodized
30848-387	6U	10HP	1	Screw-on Front	Textile EMC	Anodized
20848-047	3U	42HP	1	Screw-on Front	Textile EMC	Anodized
20848-139	6U	42HP	1	Screw-on Front	Textile EMC	Anodized
20848-650	5U	84HP	1	Screw-on Front	Textile EMC	Anodized
30848-381	6U	6HP	1	Screw-on Front	Textile EMC	Anodized
30848-386	3U	10HP	1	Screw-on Front	Textile EMC	Anodized
20848-160	6U	63HP	1	Screw-on Front	Textile EMC	Anodized
20848-649	5U	63HP	1	Screw-on Front	Textile EMC	Anodized
20848-269	4U	42HP	1	Screw-on Front	Textile EMC	Anodized
30848-380	3U	6HP	1	Screw-on Front	Textile EMC	Anodized
20848-206	2U	28HP	1	Screw-on Front	Textile EMC	Anodized
30848-382	3U	7HP	1	Screw-on Front	Textile EMC	Anodized
20848-270	4U	42HP	1	Screw-on Front	Textile EMC	Anodized
20848-648	5U	42HP	1	Screw-on Front	Textile EMC	Anodized
20848-262	2U	84HP	1	Screw-on Front	Textile EMC	Anodized
20848-027	3U	28HP	1	Screw-on Front	Textile EMC	Anodized
30848-384	3U	9HP	1	Screw-on Front	Textile EMC	Anodized

Table 2/3

Katalogové číslo	Rack Height	Rack Width	Množství v balení	Mounting	Gasket Type	Front Finish
20848-647	5U	28HP	1	Screw-on Front	Textile EMC	Anodized
20848-268	4U	28HP	1	Screw-on Front	Textile EMC	Anodized
30848-383	6U	7HP	1	Screw-on Front	Textile EMC	Anodized
20848-280	9U	84HP	1	Screw-on Front	Textile EMC	Anodized
30848-357	6U	8HP	1	Screw-on Front	Textile EMC	Anodized
20848-068	3U	63HP	1	Screw-on Front	Textile EMC	Anodized
20848-260	2U	42HP	1	Screw-on Front	Textile EMC	Anodized
20848-013	3U	14HP	1	Screw-on Front	Textile EMC	Anodized
30848-359	6U	12HP	1	Screw-on Front	Textile EMC	Anodized
30849-005	6U	3HP	1	Screw-on Front	Textile EMC	Anodized
20848-189	6U	84HP	1	Screw-on Front	Textile EMC	Anodized
20848-015	3U	16HP	1	Screw-on Front	Textile EMC	Anodized

Katalogové číslo	Rack Height	Rack Width	Množství v balení	Mounting	Gasket Type	Front Finish
30848-378	3U	5HP	1	Screw-on Front	Textile EMC	Anodized
20848-020	3U	21HP	1	Screw-on Front	Textile EMC	Anodized
30849-004	3U	3HP	1	Screw-on Front	Textile EMC	Anodized
30848-358	3U	12HP	1	Screw-on Front	Textile EMC	Anodized
20848-106	6U	14HP	1	Screw-on Front	Textile EMC	Anodized
30848-379	6U	5HP	1	Screw-on Front	Textile EMC	Anodized
20848-108	6U	16HP	1	Screw-on Front	Textile EMC	Anodized
30849-002	6U	2HP	1	Screw-on Front	Textile EMC	Anodized

Table 3/3

Katalogové číslo	Rack Height	Rack Width	Množství v balení	Mounting	Gasket Type	Front Finish
30848-356	3U	8HP	1	Screw-on Front	Textile EMC	Anodized
20848-097	3U	84HP	1	Screw-on Front	Textile EMC	Anodized
20848-271	4U	84HP	1	Screw-on Front	Textile EMC	Anodized
30848-355	6U	4HP	1	Screw-on Front	Textile EMC	Anodized
20848-113	6U	21HP	1	Screw-on Front	Textile EMC	Anodized
20848-261	2U	63HP	1	Screw-on Front	Textile EMC	Anodized
30849-001	3U	2HP	1	Screw-on Front	Textile EMC	Anodized

Table 1/3

Katalogové číslo	Rear Finish	Treated Edges	Complies With	Výška (H)	Šířka (W)	Certifications
30848-385	Conductive	No	IEC 60297-3-101, IEEE 1101.1/10	261.8mm	45.38mm	
30848-354	Conductive	No	IEC 60297-3-101, IEEE 1101.1/10	128.4mm	20mm	RoHS
20848-120	Conductive	No	IEC 60297-3-101, IEEE 1101.1/10	261.8mm	141.9mm	RoHS
30848-387	Conductive	No	IEC 60297-3-101, IEEE 1101.1/10	261.8mm	50.5mm	RoHS
20848-047	Conductive	No	IEC 60297-3-101, IEEE 1101.1/10	128.4mm	213mm	RoHS

Katalogové číslo	Rear Finish	Treated Edges	Complies With	Výška (H)	Šířka (W)	Certifications
20848-139	Conductive	No	IEC 60297-3-101, IEEE 1101.1/10	261.8mm	213mm	RoHS
20848-650	Conductive	No	IEC 60297-3-101, IEEE 1101.1/10	217.4mm	426.4mm	
30848-381	Conductive	No	IEC 60297-3-101, IEEE 1101.1/10	261.8mm	30.1mm	RoHS
30848-386	Conductive	No	IEC 60297-3-101, IEEE 1101.1/10	128.4mm	50.5mm	RoHS
20848-160	Conductive	No	IEC 60297-3-101, IEEE 1101.1/10	261.8mm	319.7mm	RoHS
20848-649	Conductive	No	IEC 60297-3-101, IEEE 1101.1/10	217.4mm	319.7mm	
20848-269	Conductive	No	IEC 60297-3-101, IEEE 1101.1/10	172.9mm	213mm	RoHS
30848-380	Conductive	No	IEC 60297-3-101, IEEE 1101.1/10	128.4mm	30.1mm	RoHS
20848-206	Conductive	No	IEC 60297-3-101, IEEE 1101.1/10	84mm	141.9mm	
30848-382	Conductive	No	IEC 60297-3-101, IEEE 1101.1/10	128.4mm	35.2mm	RoHS
20848-270	Conductive	No	IEC 60297-3-101, IEEE 1101.1/10	172.9mm	213mm	RoHS
20848-648	Conductive	No	IEC 60297-3-101, IEEE 1101.1/10	217.4mm	213mm	
20848-262	Conductive	No	IEC 60297-3-101, IEEE 1101.1/10	84mm	426.4mm	RoHS
20848-027	Conductive	No	IEC 60297-3-101, IEEE 1101.1/10	128.4mm	141.9mm	RoHS

Katalogové číslo	Rear Finish	Treated Edges	Complies With	Výška (H)	Šířka (W)	Certifications
30848-384	Conductive	No	IEC 60297-3-101, IEEE 1101.1/10	128.4mm	45.38mm	

Table 2/3

Katalogové číslo	Rear Finish	Treated Edges	Complies With	Výška (H)	Šířka (W)	Certifications
20848-647	Conductive	No	IEC 60297-3-101, IEEE 1101.1/10	217.4mm	141.9mm	
20848-268	Conductive	No	IEC 60297-3-101, IEEE 1101.1/10	172.9mm	141.9mm	RoHS
30848-383	Conductive	No	IEC 60297-3-101, IEEE 1101.1/10	261.8mm	35.2mm	RoHS
20848-280	Conductive	No	IEC 60297-3-101, IEEE 1101.1/10	395.1mm	426.4mm	RoHS
30848-357	Conductive	No	IEC 60297-3-101, IEEE 1101.1/10	261.8mm	40.3mm	RoHS
20848-068	Conductive	No	IEC 60297-3-101, IEEE 1101.1/10	128.4mm	319.7mm	RoHS
20848-260	Conductive	No	IEC 60297-3-101, IEEE 1101.1/10	84mm	213mm	
20848-013	Conductive	No	IEC 60297-3-101, IEEE 1101.1/10	128.4mm	70.8mm	RoHS
30848-359	Conductive	No	IEC 60297-3-101, IEEE 1101.1/10	261.8mm	60.6mm	RoHS
30849-005	Conductive	No	IEC 60297-3-101, IEEE 1101.1/10	261.8mm	14.9mm	
20848-189	Conductive	No	IEC 60297-3-101, IEEE 1101.1/10	261.8mm	426.4mm	RoHS
20848-015	Conductive	No	IEC 60297-3-101, IEEE 1101.1/10	128.4mm	80.9mm	RoHS

Katalogové číslo	Rear Finish	Treated Edges	Complies With	Výška (H)	Šířka (W)	Certifications
30848-378	Conductive	No	IEC 60297-3-101, IEEE 1101.1/10	128.4mm	25mm	RoHS
20848-020	Conductive	No	IEC 60297-3-101, IEEE 1101.1/10	128.4mm	106.3mm	RoHS
30849-004	Conductive	No	IEC 60297-3-101, IEEE 1101.1/10	128.4mm	14.9mm	RoHS
30848-358	Conductive	No	IEC 60297-3-101, IEEE 1101.1/10	128.4mm	60.6mm	RoHS
20848-106	Conductive	No	IEC 60297-3-101, IEEE 1101.1/10	261.8mm	70.8mm	RoHS
30848-379	Conductive	No	IEC 60297-3-101, IEEE 1101.1/10	261.8mm	25mm	RoHS
20848-108	Conductive	No	IEC 60297-3-101, IEEE 1101.1/10	261.8mm	80.9mm	RoHS
30849-002	Conductive	No	IEC 60297-3-101, IEEE 1101.1/10	261.8mm	9.8mm	RoHS

Table 3/3

Katalogové číslo	Rear Finish	Treated Edges	Complies With	Výška (H)	Šířka (W)	Certifications
30848-356	Conductive	No	IEC 60297-3-101, IEEE 1101.1/10	128.4mm	40.3mm	RoHS
20848-097	Conductive	No	IEC 60297-3-101, IEEE 1101.1/10	128.4mm	426.4mm	RoHS
20848-271	Conductive	No	IEC 60297-3-101, IEEE 1101.1/10	172.9mm	426.4mm	RoHS
30848-355	Conductive	No	IEC 60297-3-101, IEEE 1101.1/10	261.8mm	20mm	RoHS
20848-113	Conductive	No	IEC 60297-3-101, IEEE 1101.1/10	261.8mm	106.3mm	RoHS

Katalogové číslo	Rear Finish	Treated Edges	Complies With	Výška (H)	Šířka (W)	Certifications
20848-261	Conductive	No	IEC 60297-3-101, IEEE 1101.1/10	84mm	319.7mm	
30849-001	Conductive	No	IEC 60297-3-101, IEEE 1101.1/10	128.4mm	9.8mm	RoHS

DALŠÍ PODROBNOSTI O PRODUKTU

Please order fixing material (sleeves, collar screws) separately.

14 ... 84 HP: multi-part U-profile (front panel with crimped profiles).

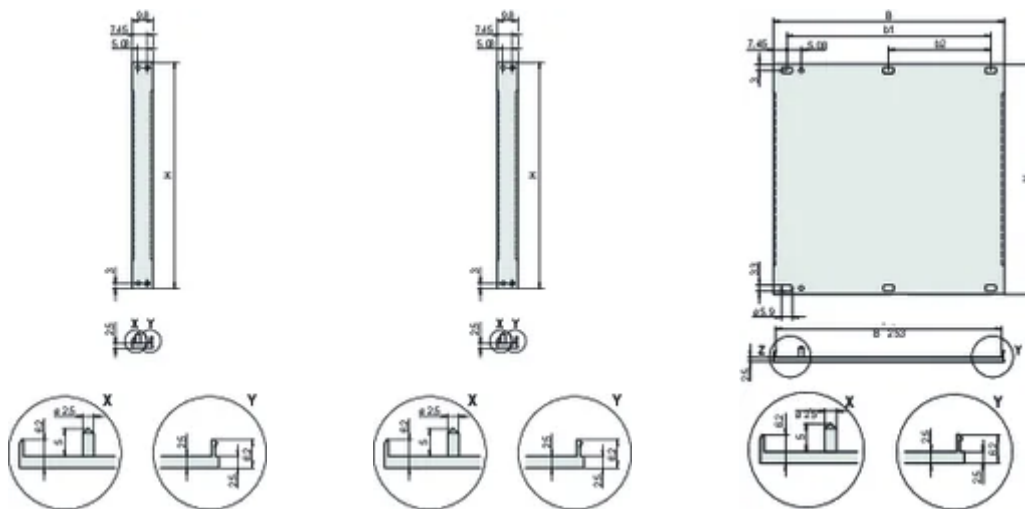
Differences in finish between 2 ... 12 HP and 14 ... 84 HP.

2 ... 12 HP: one-part U-profile

Please order textile EMC gasket separately.

Standard pack quantity: 2 to 28HP: 5 pieces, 42 to 84 HP: 1 piece, supplied in standard pack quantities (SPQ) only.

DIAGRAMS



UPOZORNĚNÍ

Produkty nVent musí být instalovány a používány pouze tak, jak je uvedeno v instrukčních listech a materiálech pro školení nVent. Instrukční listy jsou k dispozici na www.nvent.com a od vašeho zástupce zákaznického servisu nVent. Nesprávná instalace, zneužití, nesprávné použití nebo jiný nedostatek úplného dodržování pokynů a varování nVent může způsobit selhání produktu, poškození majetku, vážné zranění osob a smrt a/nebo zrušit vaši záruku.

North America

All locations

+1.763.422.2661

Chat with us:

nvent.com/schroff

Europe

Straubenhardt, Germany

+49.7082.794.0

Betschdorf, France

+33.3.88.90.64.90

Warsaw, Poland

+48.22.209.98.35

Assago, Italy

+39.02.932.7141

Chat with us:

nvent.com/schroff

Asia

Shanghai, China

+86.21.2412.6943

Qingdao, China

+86.532.8771.6101

Singapore

+65.6768.5800

Shin-Yokohama, Japan

+81.45.476.0271

Chat with us:

nvent.com/schroff

Middle East & India

Dubai, United Arab Emirates

+971.4.378.1700

Bangalore, India

+91.80.6715.2001

Istanbul, Turkey

+90.216.250.7374

Chat with us:

nvent.com/schroff



Naše portfolio silných značek:

CADDY

ERICO

HOFFMAN

ILSCO

SCHROFF

TRACHTE