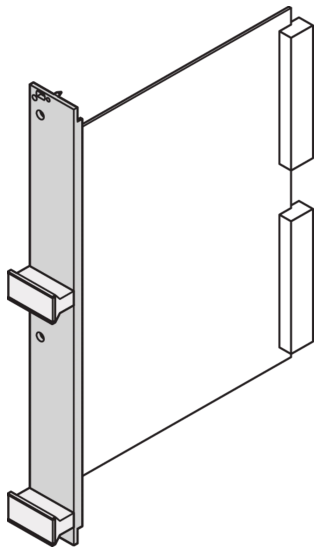


Plug-In Unit U-Profile Front Panel for Static Trapezoid Handle



U-profile front panel. Enables the assembly of a plastic or Alu-profile static trapezoid handle. The front panel can be shielded with a textile gasket.

CERTIFICATIONS



VLASTNOSTI

Al extrusion, front anodized, rear conductive, alignment pin pressed-in, stainless steel

Front panel, U-profile, shieldable

SPECIFIKACE

Materiál:	Hliník
Povrchová úprava:	Anodized; Passivated
Accessory Type:	Front panel
Product Type:	Front Panel
Typ:	Front Panel for Handle (PIU)
EMC Shielding:	No (Retrofittable)

Table 1/3

Katalogové číslo	Rack Height	Rack Width	Množství v balení	Typ rukojeti	Mounting	Gasket Type
30849-089	3U	6HP	1	Trapezoid, Static, Aluminum Profile	Screw-on Front	Textile EMC
30849-087	3U	4HP	1	Trapezoid, Static, Aluminum Profile	Screw-on Front	Textile EMC
30849-098	6U	4HP	1	Trapezoid, Static, Aluminum Profile	Screw-on Front	Textile EMC
30849-099	6U	5HP	1	Trapezoid, Static, Aluminum Profile	Screw-on Front	Textile EMC
30849-097	6U	3HP	1	Trapezoid, Static, Aluminum Profile	Screw-on Front	Textile EMC
30849-100	6U	6HP	1	Trapezoid, Static, Aluminum Profile	Screw-on Front	Textile EMC
30849-093	3U	12HP	1	Trapezoid, Static, Aluminum Profile	Screw-on Front	Textile EMC
30849-101	6U	7HP	1	Trapezoid, Static, Aluminum Profile	Screw-on Front	Textile EMC
30849-092	3U	10HP	1	Trapezoid, Static, Aluminum Profile	Screw-on Front	Textile EMC
30849-102	6U	8HP	1	Trapezoid, Static, Aluminum Profile	Screw-on Front	Textile EMC
30849-088	3U	5HP	1	Trapezoid, Static, Aluminum Profile	Screw-on Front	Textile EMC

Katalogové číslo	Rack Height	Rack Width	Množství v balení	Typ rukojeti	Mounting	Gasket Type
30849-091	3U	8HP	1	Trapezoid, Static, Aluminum Profile	Screw-on Front	Textile EMC
30849-103	6U	10HP	1	Trapezoid, Static, Aluminum Profile	Screw-on Front	Textile EMC
30849-090	3U	7HP	1	Trapezoid, Static, Aluminum Profile	Screw-on Front	Textile EMC
30849-104	6U	12HP	1	Trapezoid, Static, Aluminum Profile	Screw-on Front	Textile EMC
30849-086	3U	3HP	1	Trapezoid, Static, Aluminum Profile	Screw-on Front	Textile EMC

Table 2/3

Katalogové číslo	Front Finish	Rear Finish	Treated Edges	Complies With	Hloubka	Výška
30849-089	Anodized	Conductive	No	IEC 60297-3-101	2.5mm	128.4mm
30849-087	Anodized	Conductive	No	IEC 60297-3-101	2.5mm	128.4mm
30849-098	Anodized	Conductive	No	IEC 60297-3-101	2.5mm	261.8mm
30849-099	Anodized	Conductive	No	IEC 60297-3-101	2.5mm	261.8mm
30849-097	Anodized	Conductive	No	IEC 60297-3-101	2.5mm	261.8mm
30849-100	Anodized	Conductive	No	IEC 60297-3-101	2.5mm	261.8mm
30849-093	Anodized	Conductive	No	IEC 60297-3-101	2.5mm	128.4mm
30849-101	Anodized	Conductive	No	IEC 60297-3-101	2.5mm	261.8mm
30849-092	Anodized	Conductive	No	IEC 60297-3-101	2.5mm	128.4mm

Katalogové číslo	Front Finish	Rear Finish	Treated Edges	Complies With	Hloubka	Výška
30849-102	Anodized	Conductive	No	IEC 60297-3-101	2.5mm	261.8mm
30849-088	Anodized	Conductive	No	IEC 60297-3-101	2.5mm	128.4mm
30849-091	Anodized	Conductive	No	IEC 60297-3-101	2.5mm	128.4mm
30849-103	Anodized	Conductive	No	IEC 60297-3-101	2.5mm	261.8mm
30849-090	Anodized	Conductive	No	IEC 60297-3-101	2.5mm	128.4mm
30849-104	Anodized	Conductive	No	IEC 60297-3-101	2.5mm	261.8mm
30849-086	Anodized	Conductive	No	IEC 60297-3-101	2.5mm	128.4mm

Table 3/3

Katalogové číslo	Šířka
30849-089	30.1mm
30849-087	20mm
30849-098	20mm
30849-099	25mm
30849-097	14.9mm
30849-100	30.1mm
30849-093	60.6mm
30849-101	35.2mm
30849-092	50.5mm
30849-102	40.3mm
30849-088	25mm
30849-091	40.3mm
30849-103	50.5mm
30849-090	35.2mm
30849-104	60.6mm
30849-086	14.9mm

DALŠÍ PODROBNOSTI O PRODUKTU

Please order EMC profile seal separately.

Please take into consideration that deliveries may be carried out in the stated SPQs (SPQ, e.g. 5 pieces, 10 pieces, 50 pieces, etc.). Differing order quantities (e.g. 2 pieces) may be changed to the next possible delivery quantity = Standard Pack Quantity.

UPOZORNĚNÍ

Produkty nVent musí být instalovány a používány pouze tak, jak je uvedeno v instrukčních listech a materiálech pro školení nVent. Instrukční listy jsou k dispozici na www.nvent.com a od vašeho zástupce zákaznického servisu nVent. Nesprávná instalace, zneužití, nesprávné použití nebo jiný nedostatek úplného dodržování pokynů a varování nVent může způsobit selhání produktu, poškození majetku, vážné zranění osob a smrt a/nebo zrušit vaši záruku.

North America

All locations
+1.763.422.2661
Chat with us:
nvent.com/schroff

Europe

Straubenhardt, Germany
+49.7082.794.0
Betschdorf, France
+33.3.88.90.64.90
Warsaw, Poland
+48.22.209.98.35
Assago, Italy
+39.02.932.7141
Chat with us:
nvent.com/schroff

Asia

Shanghai, China
+86.21.2412.6943
Qingdao, China
+86.532.8771.6101
Singapore
+65.6768.5800
Shin-Yokohama, Japan
+81.45.476.0271
Chat with us:
nvent.com/schroff

Middle East & India

Dubai, United Arab Emirates
+971.4.378.1700
Bangalore, India
+91.80.6715.2001
Istanbul, Turkey
+90.216.250.7374
Chat with us:
nvent.com/schroff



Naše portfolio silných značek:

CADDY ERICO HOFFMAN ILSCO SCHROFF TRACHTE