

Universal Structural Bracket



This code-compliant Structural Attachment is part of the nVent CADDY line of innovative rigid bracing system, designed to provide superior performance and meet the highest seismic load requirements. Its versatile design allows quick and easy installation directly to concrete, wood, bar joist or I-beam adapters and is compatible with 1" through 2" brace pipes. Its snap-off bolt makes inspection of seismic sway braces simple.

CERTIFICERINGER



FM Approved, Seismic

FUNKTIONER

Universal design allows one product to attach directly to concrete, wood, bar joist or I-beam adapters

Integrated angle gauge easily displays brace member angle of installation

Snap-off bolt head helps enable easy installation and inspection of seismic sway braces

Works with 1" through 2" (25,4mm through 50,8mm) brace pipes to reduce inventory

Low profile minimizes prying effect on concrete fasteners

Meets NFPA® 13 as pre-qualified for seismic applications

FM Approved with the following brace members: Type A Solid Strut (12 gauge or thicker) and 1-2 in Sch40/EN 10255H Pipe

FM Specification Tested with the following brace members: Type A Solid Strut (12 gauge or thicker), 1-2 in Sch40/EN 10255H Pipe, 1 in EMT Conduit, and 1 in Rigid Conduit

SPECIFIKATIONER

Finish: Electro galvanized

Materiale: Stål

Table 1/2

| Katalognummer | Artikelnummer | Hole Size (HS) | Width (W) | Thickness (T) | A | B |
|---------------|---------------|----------------|-----------|---------------|---|---|
|---------------|---------------|----------------|-----------|---------------|---|---|

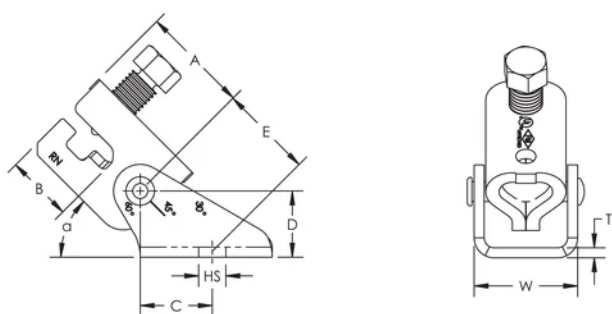
| | | | | | | |
|---------|--------|---------|-------|------|-------|-------|
| CSBU2N | 404137 | 20.6 mm | 49 mm | 5 mm | 52 mm | 33 mm |
| CSBU1N | 404135 | 13 mm | 49 mm | 5 mm | 52 mm | 33 mm |
| CSBU58N | 404138 | 17.5 mm | 49 mm | 5 mm | 52 mm | 33 mm |

Table 2/2

| Katalognummer | Artikelnummer | C | D | E | UL Listed Load |
|---------------|---------------|-------|-------|-------|----------------|
| CSBU2N | 404137 | 35 mm | 32 mm | 44 mm | 8896N |
| CSBU1N | 404135 | 35 mm | 32 mm | 44 mm | 8896N |
| CSBU58N | 404138 | 35 mm | 32 mm | 44 mm | 8896N |

| FM Loads | | | | |
|-------------|--|-----------|-----------|-----------|
| Part Number | Horizontal Capacity per Installation Angle from Vertical | | | |
| | 30° - 44° | 45° - 59° | 60° - 74° | 75° - 90° |
| CSBU1xxx | 7510 N | 9830 N | 11830 N | 13740 N |
| CSBU2xxx | 6580 N | 10180 N | 12720 N | 13740 N |
| CSBU58xxx | 6580 N | 9830 N | 11830 N | 13740 N |

DIAGRAMS



ADVARSEL

nVent-produkter skal kun installeres og anvendes som angivet i nVents produktvejledninger og træningsmaterialer. Vejledninger er tilgængelige på www.nvent.com og hos din nVent kundeservicerepræsentant. Forkert installation, misbrug, fejlanvendelse eller anden undladelse af fuldt ud at følge nVents instruktioner og advarsler kan medføre funktionsfejl, materielle skader, alvorlige personskader eller død og/eller ugyldiggøre din garanti.

North America

+1.800.753.9221

Option 1 – Customer Care

Option 2 – Technical

Support

Europe

Netherlands:

+31 800-0200135

France:

+33 800 901 793

Europe

Germany:

800 1890272

Other Countries:

+31 13 5835404

APAC

Shanghai:

+ 86 21 2412 1618/19

Sydney:

+61 2 9751 8500



Vores kraftfulde portefølje af mærker:

CADDY

ERICO

HOFFMAN

ILSCO

SCHROFF

TRACHTE

