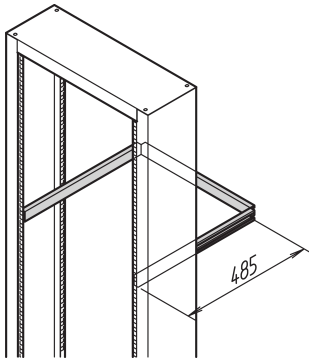


Labrack Cable Support Rail

KATALOGNUMMER

20118-460



Labrack Cable Support Rail is designed for mobile 19" lab rack; with panel mounts also for stationary 19" lab rack. It allows smart cable management.

CERTIFICERINGER



FUNKTIONER

For cable ducting and cable strain relief

Designed for mobile 19" lab rack; with panel mounts also for stationary 19" lab rack

PRODUKTEGENSKABER

Product Type: Support Rail

Produktfamilie: Labrack

Materiale: Stål

Pakke mængde: 1

Finish: Forzinket Stål

Gross Weight: 1.283kg

YDERLIGERE PRODUKTOPLYSNINGER

Panel mounts are necessary for assembly on stationary 19" lab racks, please order them separately.

ADVARSEL

nVent-produkter skal kun installeres og anvendes som angivet i nVents produktvejledninger og træningsmaterialer. Vejledninger er tilgængelige på www.nvent.com og hos din nVent kundeservicerepræsentant. Forkert installation, misbrug, fejlanvendelse eller anden undladelse af fuldt ud at følge nVents instruktioner og advarsler kan medføre funktionsfejl, materielle skader, alvorlige personskader eller død og/eller ugyldiggøre din garanti.

North America

All locations
+1.763.422.2661
Chat with us:
nvent.com/schroff

Europe

Straubenhardt, Germany
+49.7082.794.0
Betschdorf, France
+33.3.88.90.64.90
Warsaw, Poland
+48.22.209.98.35
Assago, Italy
+39.02.932.7141
Chat with us:
nvent.com/schroff

Asia

Shanghai, China
+86.21.2412.6943
Qingdao, China
+86.532.8771.6101
Singapore
+65.6768.5800
Shin-Yokohama, Japan
+81.45.476.0271
Chat with us:
nvent.com/schroff

Middle East & India

Dubai, United Arab
Emirates
+971.4.378.1700
Bangalore, India
+91.80.6715.2001
Istanbul, Turkey
+90.216.250.7374
Chat with us:
nvent.com/schroff



Vores kraftfulde portefølje af mærker:

CADDY ERICO HOFFMAN ILSCO SCHROFF TRACHTE