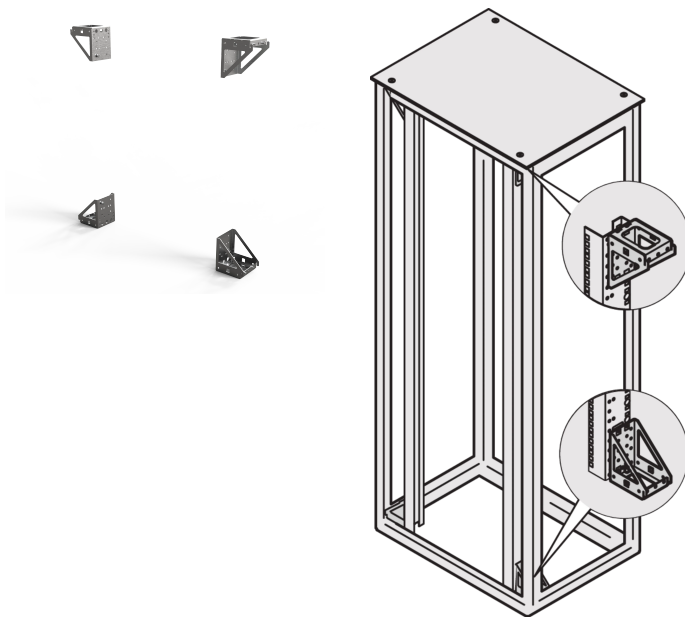


Varistar CP | Adapter Bracket for Reduced Width

KATALOGNUMMER

23130-091



Varistar Adapter Bracket for reduced Width for the assembly of 2 panel/slide mounts. It comes in combination with the assembly of depth members, recessed or shortened 19" panel/slide mounts.

CERTIFICERINGER



FUNKTIONER

For the assembly of 2 panel/slide mounts

For 800 mm wide cabinets to implement 19" mounting

In combination with the assembly of depth members, recessed or shortened 19" panel/slide mounts

PRODUKTEGENSKABER

Product Type: Bracket

Produktfamilie: Varistar CP

Type: Adapter Bracket

Works With: Varistar CP

Materiale: Stål

Finish: Aluminum-Zinc Plated

Pakke mængde: 4

Net Weight: 1.721kg

ADVARSEL

nVent-produkter skal kun installeres og anvendes som angivet i nVents produktvejledninger og træningsmaterialer. Vejledninger er tilgængelige på www.nvent.com og hos din nVent kundeservicerepræsentant. Forkert installation, misbrug, fejlanvendelse eller anden unkladelse af fuldt ud at følge nVents instruktioner og advarsler kan medføre funktionsfejl, materielle skader, alvorlige personskader eller død og/eller ugyldiggøre din garanti.

North America

All locations
+1.763.422.2661
Chat with us:
nvent.com/schroff

Europe

Straubenhardt, Germany
+49.7082.794.0
Betschdorf, France
+33.3.88.90.64.90
Warsaw, Poland
+48.22.209.98.35
Assago, Italy
+39.02.932.7141
Chat with us:
nvent.com/schroff

Asia

Shanghai, China
+86.21.2412.6943
Qingdao, China
+86.532.8771.6101
Singapore
+65.6768.5800
Shin-Yokohama, Japan
+81.45.476.0271
Chat with us:
nvent.com/schroff

Middle East & India

Dubai, United Arab
Emirates
+971.4.378.1700
Bangalore, India
+91.80.6715.2001
Istanbul, Turkey
+90.216.250.7374
Chat with us:
nvent.com/schroff



Vores kraftfulde portefølje af mærker:

CADDY ERICO HOFFMAN ILSCO SCHROFF TRACHTE