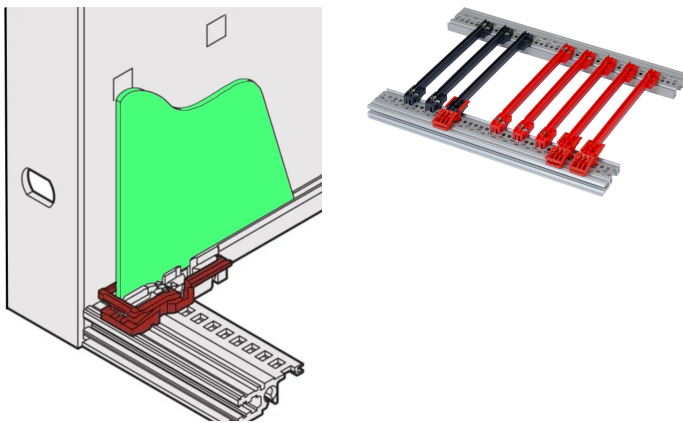


PCB Retainer C

KATALOGNUMMER

24560-377



The PCB handle enables a user to extract a PCB without a front panel.

CERTIFICERINGER



FUNKTIONER

Possible application on top and bottom horizontal rail

Can also be used without PCB handle

Can also be used from Slot position "2"

For fixing PCB in a subrack or 19" case

For EuropacPRO, MultipacPRO, RatiopacPRO, PropacPRO and CompacPRO

Can only be used in combination with guide rails type "Accessory"

PRODUKTEGENSKABER

Product Type: PCB Retainer

Materiale: Polycarbonate

Pakke mængde: 10

YDERLIGERE PRODUKTOPLYSNINGER

Please order board handle C separately.

Can only be used with guide rail type accessory.

Minimum spacing of guide rail: 3 HP.

Cannot be used with Propac, Compac, or Inpac cases.

ADVARSEL

nVent-produkter skal kun installeres og anvendes som angivet i nVents produktvejledninger og træningsmaterialer. Vejledninger er tilgængelige på www.nvent.com og hos din nVent kundeservicerepræsentant. Forkert installation, misbrug, fejlanvendelse eller anden undladelse af fuldt ud at følge nVents instruktioner og advarsler kan medføre funktionsfejl, materielle skader, alvorlige personskader eller død og/eller ugyldiggøre din garanti.

North America

All locations
+1.763.422.2661
Chat with us:
nvent.com/schroff

Europe

Straubenhardt, Germany
+49.7082.794.0
Betschdorf, France
+33.3.88.90.64.90
Warsaw, Poland
+48.22.209.98.35
Assago, Italy
+39.02.932.7141
Chat with us:
nvent.com/schroff

Asia

Shanghai, China
+86.21.2412.6943
Qingdao, China
+86.532.8771.6101
Singapore
+65.6768.5800
Shin-Yokohama, Japan
+81.45.476.0271
Chat with us:
nvent.com/schroff

Middle East & India

Dubai, United Arab
Emirates
+971.4.378.1700
Bangalore, India
+91.80.6715.2001
Istanbul, Turkey
+90.216.250.7374
Chat with us:
nvent.com/schroff



Vores kraftfulde portefølje af mærker:

CADDY ERICO HOFFMAN ILSCO SCHROFF TRACHTE