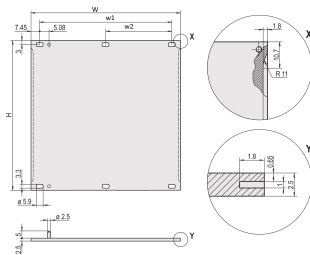


Front Panel, Refrofit Shielding, 6 U, 84 HP, 2.5 mm, Al, Anodized, Untreated Edges

KATALOGNUMMER

30846-771

Flat front panel. Shieldable with stainless steel EMC gasket.



CERTIFICERINGER



FUNKTIONER

For stainless steel EMC gasket

Al, 2.5 mm, front anodized, conductive

PRODUKTEGENSKABER

Rack Height: 6U

Rack Width: 84HP

Pakke mængde: 1

Accessory Type: Front panel

Mounting: Screw-on Front

Gasket Type: Stainless Steel EMC

Front Finish: Anodized

Rear Finish: Conductive

Treated Edges: No

Complies With: IEC 60297-3-101; IEEE 1101.1/10

Dybde (D): 2.5mm

EMC Shielding: No (Retrofittable)

Finish: Anodized

Højde (H): 261.8mm

Materiale: Aluminium

Product Type: Front Panel

Type: Front Panel without Handle

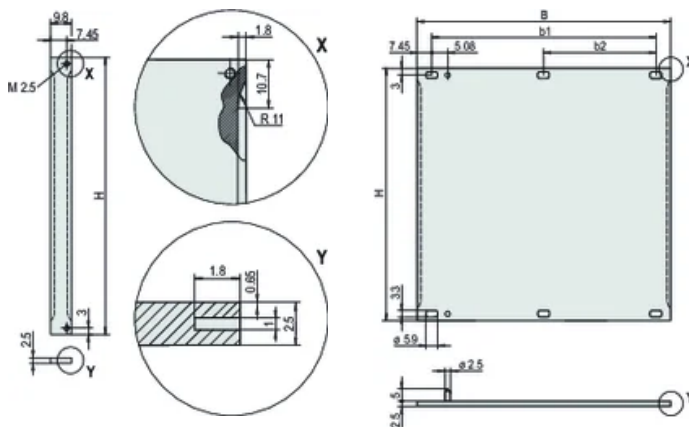
Bredde (W): 426.4mm

Net Weight: 0.74kg

YDERLIGERE PRODUKTOPLYSNINGER

Please order fixing material (sleeves, collar screws) separately.

DIAGRAMS



ADVARSEL

nVent-produkter skal kun installeres og anvendes som angivet i nVents produktvejledninger og træningsmaterialer. Vejledninger er tilgængelige på www.nvent.com og hos din nVent kundeservicerepræsentant. Forkert installation, misbrug, fejlanvendelse eller anden undladelse af fuldt ud at følge nVents instruktioner og advarsler kan medføre funktionsfejl, materielle skader, alvorlige personskader eller død og/eller ugyldiggøre din garanti.

North America

All locations
+1.763.422.2661
Chat with us:
nvent.com/schroff

Europe

Straubenhardt, Germany
+49.7082.794.0
Betschdorf, France
+33.3.88.90.64.90
Warsaw, Poland
+48.22.209.98.35
Assago, Italy
+39.02.932.7141
Chat with us:
nvent.com/schroff

Asia

Shanghai, China
+86.21.2412.6943
Qingdao, China
+86.532.8771.6101
Singapore
+65.6768.5800
Shin-Yokohama, Japan
+81.45.476.0271
Chat with us:
nvent.com/schroff

Middle East & India

Dubai, United Arab
Emirates
+971.4.378.1700
Bangalore, India
+91.80.6715.2001
Istanbul, Turkey
+90.216.250.7374
Chat with us:
nvent.com/schroff



Vores kraftfulde portefølje af mærker:

CADDY ERICO HOFFMAN ILSCO SCHROFF TRACHTE