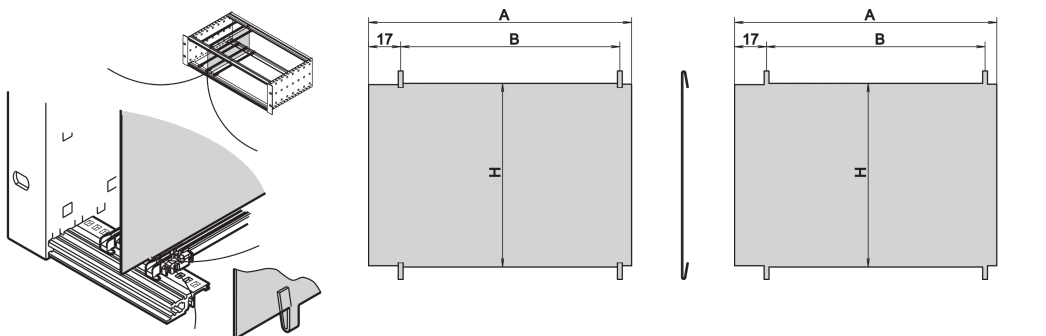


EuropacPRO Divider Plate, 3 U, 220 mm

KATALOGNUMMER

34562-762



The divider plate enables the user to create a separate area inside a subrack or case. The plate can be clipped into the perforation of the horizontal rails. The subracks or cases have to be disassembled if the plate will be assembled.

CERTIFICERINGER



FUNKTIONER

Mounts by clipping into horizontal rails

Space requirement on component side: 2.0 mm

Fitting depends on gasketing method (stainless steel/textile gasket)

PRODUKTEGENSKABER

Rack Height: 3U

Pakke mængde: 1

Dybde: 220mm

Length: 220mm

Materiale: Stainless Steel

Produktfamilie: EuropacPRO

Product Type: Side Panel

Works With: Subracks

Net Weight: 0.175kg

YDERLIGERE PRODUKTOPLYSNINGER

Subsequent installation of the divider plate in a mounted subrack requires removal of the horizontal rails beforehand.

ADVARSEL

nVent-produkter skal kun installeres og anvendes som angivet i nVents produktvejledninger og træningsmaterialer. Vejledninger er tilgængelige på www.nvent.com og hos din nVent kundeservicerepræsentant. Forkert installation, misbrug, fejlanvendelse eller anden unkladelse af fuldt ud at følge nVents instruktioner og advarsler kan medføre funktionsfejl, materielle skader, alvorlige personskader eller død og/eller ugyldiggøre din garanti.

North America

All locations
+1.763.422.2661
Chat with us:
nvent.com/schroff

Europe

Straubenhardt, Germany
+49.7082.794.0
Betschdorf, France
+33.3.88.90.64.90
Warsaw, Poland
+48.22.209.98.35
Assago, Italy
+39.02.932.7141
Chat with us:
nvent.com/schroff

Asia

Shanghai, China
+86.21.2412.6943
Qingdao, China
+86.532.8771.6101
Singapore
+65.6768.5800
Shin-Yokohama, Japan
+81.45.476.0271
Chat with us:
nvent.com/schroff

Middle East & India

Dubai, United Arab
Emirates
+971.4.378.1700
Bangalore, India
+91.80.6715.2001
Istanbul, Turkey
+90.216.250.7374
Chat with us:
nvent.com/schroff



Vores kraftfulde portefølje af mærker:

CADDY ERICO HOFFMAN ILSCO SCHROFF TRACHTE