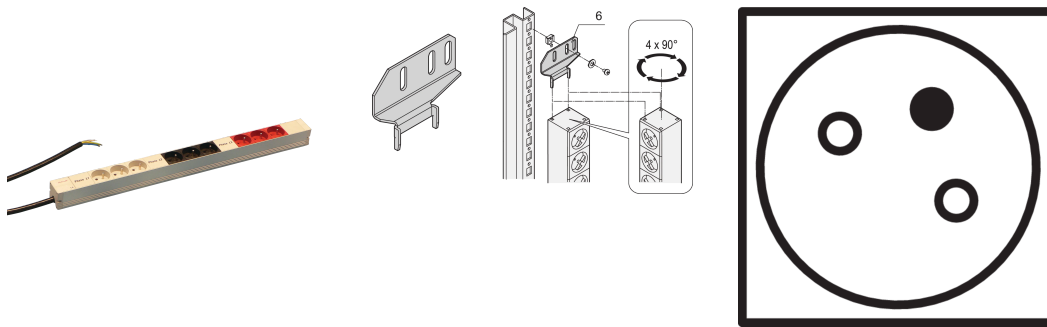


Socket Strip, UTE, 3-Phase, 9 Sockets

KATALOGNUMMER

60110-233



Modular, compact PDU with many function elements. Using a 1 U by 1 U aluminum chassis the PDU can easily be integrated in a rack with UTE outlets.

CERTIFICERINGER



FUNKTIONER

Connecting cable 2 m, open end with ferrules

Socket strips can be rotated through all four directions (in 90° increments) during installation

Socket strips with UTE sockets, 3-phase

3-phase, 16 A per phase

In accordance with NFC 61-303

Vertical mounting

Installation height 1 U

PRODUKTEGENSKABER

Product Type: Socket Strip

Stiktype: UTE

Socket Quantity: 9

Farve: Grey; Black; Red

Switched Outlets: No

Length: 608.5mm

Spænding AC: 230V

Dybde: 44mm

Finish: Anodized

Materiale: Aluminium; Polyamide

Net Weight: 1.64kg

Pakke mængde: 1

YDERLIGERE PRODUKTOPLYSNINGER

Please order bracket for vertical mounting separately.

ADVARSEL

nVent-produkter skal kun installeres og anvendes som angivet i nVents produktvejledninger og træningsmaterialer. Vejledninger er tilgængelige på www.nvent.com og hos din nVent kundeservicerepræsentant. Forkert installation, misbrug, fejlanvendelse eller anden unladelse af fuldt ud at følge nVents instruktioner og advarsler kan medføre funktionsfejl, materielle skader, alvorlige personskader eller død og/eller ugyldiggøre din garanti.

North America

All locations
+1.763.422.2661
Chat with us:
nvent.com/schroff

Europe

Straubenhardt, Germany
+49.7082.794.0
Betschdorf, France
+33.3.88.90.64.90
Warsaw, Poland
+48.22.209.98.35
Assago, Italy
+39.02.932.7141
Chat with us:
nvent.com/schroff

Asia

Shanghai, China
+86.21.2412.6943
Qingdao, China
+86.532.8771.6101
Singapore
+65.6768.5800
Shin-Yokohama, Japan
+81.45.476.0271
Chat with us:
nvent.com/schroff

Middle East & India

Dubai, United Arab
Emirates
+971.4.378.1700
Bangalore, India
+91.80.6715.2001
Istanbul, Turkey
+90.216.250.7374
Chat with us:
nvent.com/schroff



Vores kraftfulde portefølje af mærker:

CADDY ERICO HOFFMAN ILSCO SCHROFF TRACHTE