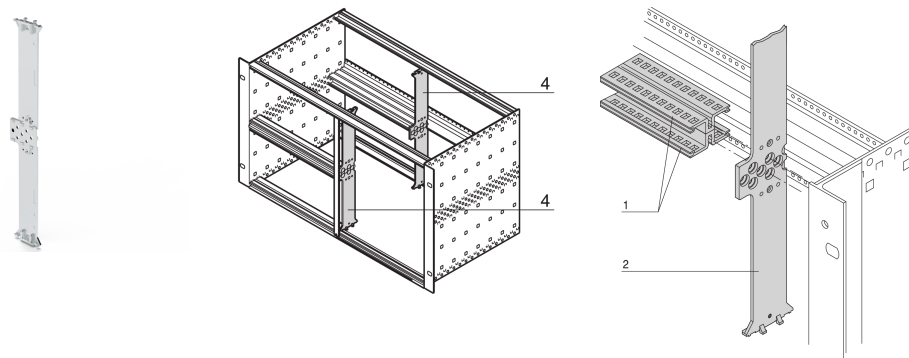


Splitting Extrusion 6 U for Combined Mounting

KATALOGNUMMER

64560-010



The support is bolted into the grid holes of the horizontal rails and allows a split of a 6 U subrack in 2 x 3 U parts.

CERTIFICERINGER



FUNKTIONER

The support is bolted into the grid holes of the horizontal rails. The support can also be screwed on.

The front side has to be covered by a 2HP front panel

PRODUKTEGENSKABER

Product Type: Mounting Kit

Produktfamilie: EuropacPRO

Type: Combined

Works With: Subracks

Materiale: Zinc Alloy

Rack Height: 6U

Pakke mængde: 1

Net Weight: 0.11kg

ADVARSEL

nVent-produkter skal kun installeres og anvendes som angivet i nVents produktvejledninger og træningsmaterialer. Vejledninger er tilgængelige på www.nvent.com og hos din nVent kundeservicerepræsentant. Forkert installation, misbrug, fejlanvendelse eller anden unndladelse af fuldt ud at følge nVents instruktioner og advarsler kan medføre funktionsfejl, materielle skader, alvorlige personskader eller død og/eller ugyldiggøre din garanti.

North America

All locations
+1.763.422.2661
Chat with us:
nvent.com/schroff

Europe

Straubenhardt, Germany
+49.7082.794.0
Betschdorf, France
+33.3.88.90.64.90
Warsaw, Poland
+48.22.209.98.35
Assago, Italy
+39.02.932.7141
Chat with us:
nvent.com/schroff

Asia

Shanghai, China
+86.21.2412.6943
Qingdao, China
+86.532.8771.6101
Singapore
+65.6768.5800
Shin-Yokohama, Japan
+81.45.476.0271
Chat with us:
nvent.com/schroff

Middle East & India

Dubai, United Arab
Emirates
+971.4.378.1700
Bangalore, India
+91.80.6715.2001
Istanbul, Turkey
+90.216.250.7374
Chat with us:
nvent.com/schroff



Vores kraftfulde portefølje af mærker:

CADDY ERICO HOFFMAN ILSCO SCHROFF TRACHTE