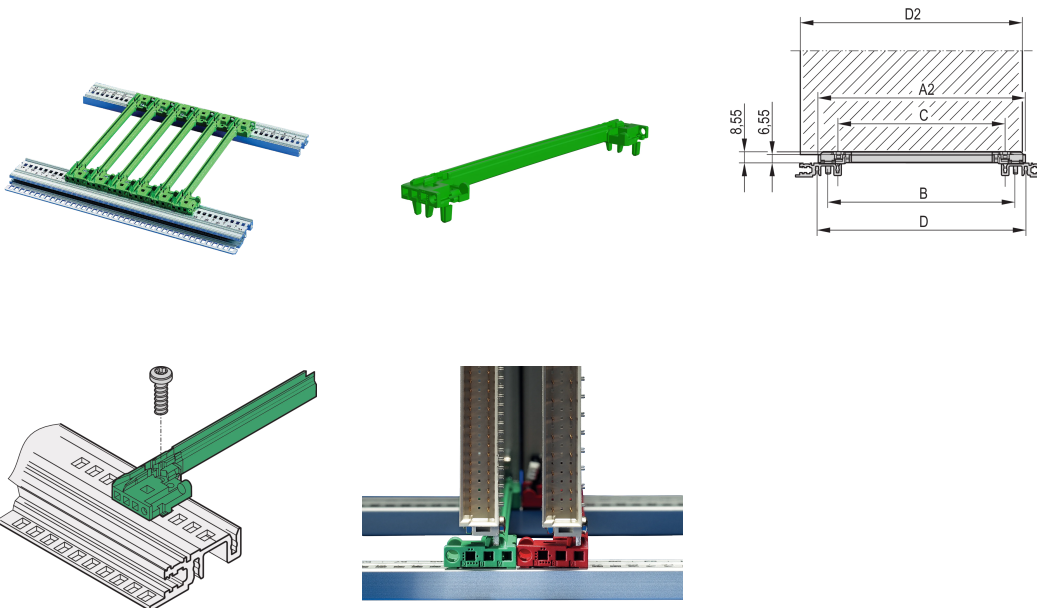


# Guide Rail With Coding for CompactPCI/ VME64x, Offset 0.1", 160 mm, Green, SPQ 50

## KATALOGNUMMER

64560-071



Plastic offset (0.1") guide rail with coding for CompactPCI and VME64x systems, forms a reliable interface between the subrack mechanics and the sub-assemblies. The optional keying/coding pegs preventing that boards being inserted into wrong slots. The guide rails can additionally be bolted to the horizontal rail or 1.5 mm thick plates for higher shock and vibration requirements. Guide rail can be optional equipped with a ESD clip, which ensures conductive contact between PCB, handle (IES, IEL) and horizontal rail. Suitable for RatiopacPRO/-AIR, PropacPRO, CompacPRO and EuropacPRO.

## CERTIFICERINGER



## FUNKTIONER

Offset (0.1") guide rail with 2 mm groove width and coding for CompactPCI power supplies

Optional ESD clips for PCB groove and for alignment pin available

Optional keying/coding pegs to prevent boards being inserted into the wrong slot position

Guide rails can be clipped into horizontal rails (Al extrusion) or into 1.5 mm thick plates

Storage temperature: from -40 °C ... 130 °C

## PRODUKTEGENSKABER

Product Type: Guide Rail

Produktfamilie: EuropacPRO; RatiopacPRO; RatiopacPRO AIR; CompacPRO; PropacPRO; MultipacPRO; Inpac

Type: Coding, Offset

Works With: Subracks; Cases; Chassis

Groove Width: 2

Materiale: Plastik

Farve: Green

## YDERLIGERE PRODUKTOPLYSNINGER

Delivery is in standard pack multiples. Pricing is per individual item.

Please take into consideration that deliveries may be carried out in the stated SPQs (SPQ, e.g. 5 pieces, 10 pieces, 50 pieces, etc.). Differing order quantities (e.g. 2 pieces) may be changed to the next possible delivery quantity = Standard Pack Quantity.

## ADVARSEL

nVent-produkter skal kun installeres og anvendes som angivet i nVents produktvejledninger og træningsmaterialer. Vejledninger er tilgængelige på [www.nvent.com](http://www.nvent.com) og hos din nVent kundeservicerepræsentant. Forkert installation, misbrug, fejlanvendelse eller anden unndladelse af fuldt ud at følge nVents instruktioner og advarsler kan medføre funktionsfejl, materielle skader, alvorlige personskader eller død og/eller ugyldiggøre din garanti.

### North America

All locations  
+1.763.422.2661  
Chat with us:  
[nvent.com/schroff](http://nvent.com/schroff)

### Europe

Straubenhardt, Germany  
+49.7082.794.0  
Betschdorf, France  
+33.3.88.90.64.90  
Warsaw, Poland  
+48.22.209.98.35  
Assago, Italy  
+39.02.932.7141  
Chat with us:  
[nvent.com/schroff](http://nvent.com/schroff)

### Asia

Shanghai, China  
+86.21.2412.6943  
Qingdao, China  
+86.532.8771.6101  
Singapore  
+65.6768.5800  
Shin-Yokohama, Japan  
+81.45.476.0271  
Chat with us:  
[nvent.com/schroff](http://nvent.com/schroff)

### Middle East & India

Dubai, United Arab  
Emirates  
+971.4.378.1700  
Bangalore, India  
+91.80.6715.2001  
Istanbul, Turkey  
+90.216.250.7374  
Chat with us:  
[nvent.com/schroff](http://nvent.com/schroff)



Vores kraftfulde portefølje af mærker:

**CADDY ERICO HOFFMAN ILSCO SCHROFF TRACHTE**