

Brace Arm for E4 Channel



SPECIFICATIONS

Table 1/3

Catalog Number	Article Number	Material	Finish	Height 1 (H1)	Height 2 (H2)	Width (W)
CE4SBEG	400046	Steel	Electrogalvanized	90mm	170mm	38 mm

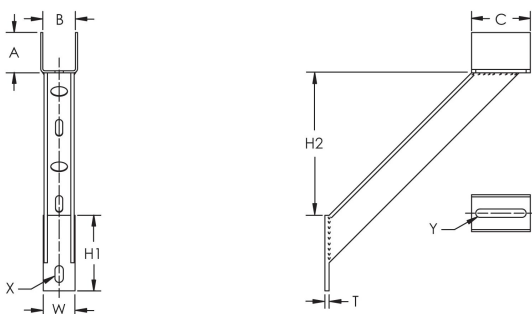
Table 2/3

Catalog Number	Article Number	Thickness (T)	A	B	C	X
CE4SBEG	400046	5 mm	48 mm	39 mm	70 mm	10 x 20 mm

Table 3/3

Catalog Number	Article Number	Y
CE4SBEG	400046	10 x 60 mm

DIAGRAMS



WARNING

nVent products shall be installed and used only as indicated in nVent's product instruction sheets and training materials. Instruction sheets are available at www.nvent.com and from your nVent customer service representative. Improper installation, misuse, misapplication or other failure to completely follow nVent's instructions and warnings may cause product malfunction, property damage, serious bodily injury and death and/or void your warranty.

North America

+1.800.753.9221

Option 1 – Customer Care

Option 2 – Technical

Support

Europe

Netherlands:

+31 800-0200135

France:

+33 800 901 793

Europe

Germany:

800 1890272

Other Countries:

+31 13 5835404

APAC

Shanghai:

+ 86 21 2412 1618/19

Sydney:

+61 2 9751 8500



Our powerful portfolio of brands:

CADDY

ERICO

HOFFMAN

ILSCO

SCHROFF

TRACHTE

