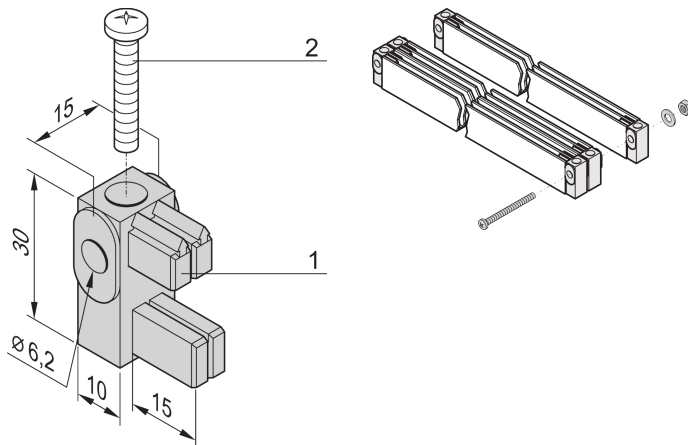


# Mounting Bracket With Insulating Block for Busbar 1, 2 Poles

## Data Solutions

### CATALOG NUMBER

**20100-030**



Mounting Brackets for Busbars or Busbar Modules are load circuit isolated mounting units for grounding rails. There may be adapters with assigned current ratings which supply the load current to loadfeeders through wire connections.

### CERTIFICATIONS



### FEATURES

Mounting Bracket With Insulating Block for Busbar 1, 2 Poles

### PRODUCT ATTRIBUTES

Product Type: Bracket

Material: Polyphenylene Ether

Package Quantity: 4

Net Weight: 0.03kg

## ADDITIONAL PRODUCT DETAILS

---

M6 screw, washer and nut for row mounting not included.

## WARNING

---

nVent products shall be installed and used only as indicated in nVent's product instruction sheets and training materials. Instruction sheets are available at [www.nvent.com](http://www.nvent.com) and from your nVent customer service representative. Improper installation, misuse, misapplication or other failure to completely follow nVent's instructions and warnings may cause product malfunction, property damage, serious bodily injury and death and/or void your warranty.



Our powerful portfolio of brands:

**CADDY   ERICO   HOFFMAN   ILSCO   SCHROFF   TRACHTE**