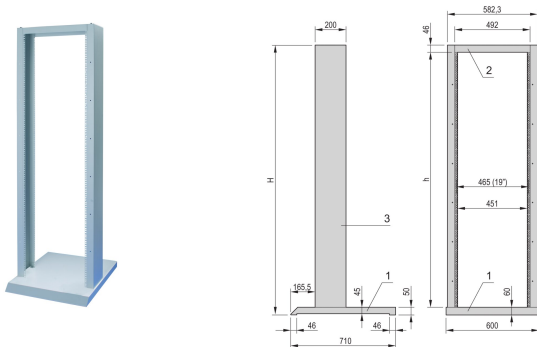


Labrack 19" Open Rack Stationary Base

CATALOG NUMBER

20118-743



The Labrack open frame 19" cabinet can have a mobile base as an option, generally chosen for test and measurement verticals.

CERTIFICATIONS



FEATURES

Is generally chosen for test and measurement verticals

PRODUCT ATTRIBUTES

Product Type: Rack

Product Family: Labrack

Frame Material: Steel

Width: 600mm

Depth: 710mm

Static Load: 150kg

Complies With: IEC 60297-3-100

Finish: Powder Coated

Gross Weight: 14.5kg

Material: Steel

Package Quantity: 1

ADDITIONAL PRODUCT DETAILS

Please order uprights separately.

The Labrack open frame 19" cabinet can have a stationary base as an option.

WARNING

nVent products shall be installed and used only as indicated in nVent's product instruction sheets and training materials. Instruction sheets are available at www.nvent.com and from your nVent customer service representative. Improper installation, misuse, misapplication or other failure to completely follow nVent's instructions and warnings may cause product malfunction, property damage, serious bodily injury and death and/or void your warranty.

North America

All locations
+1.763.422.2661
Chat with us:
nvent.com/schroff

Europe

Straubenhardt, Germany
+49.7082.794.0
Betschdorf, France
+33.3.88.90.64.90
Warsaw, Poland
+48.22.209.98.35
Assago, Italy
+39.02.932.7141
Chat with us:
nvent.com/schroff

Asia

Shanghai, China
+86.21.2412.6943
Qingdao, China
+86.532.8771.6101
Singapore
+65.6768.5800
Shin-Yokohama, Japan
+81.45.476.0271
Chat with us:
nvent.com/schroff

Middle East & India

Dubai, United Arab Emirates
+971.4.378.1700
Bangalore, India
+91.80.6715.2001
Istanbul, Turkey
+90.216.250.7374
Chat with us:
nvent.com/schroff



Our powerful portfolio of brands:

CADDY ERICO HOFFMAN ILSCO SCHROFF TRACHTE