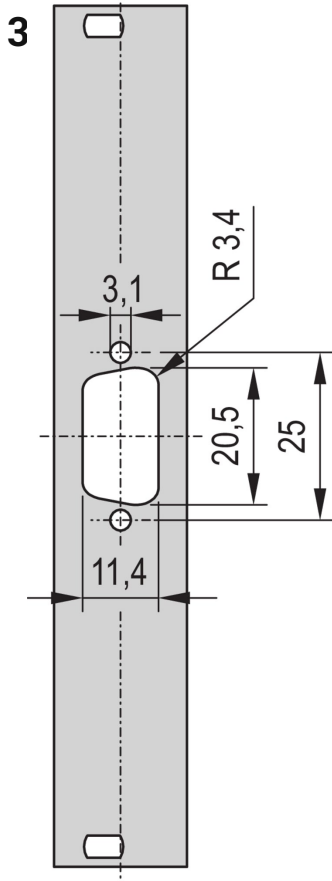


19" Front Panel With D-Sub Cutout, 1x9-pin, 3U, 4 HP, 2.5 mm, Al, RAL 7035

CATALOG NUMBER



19" Front Panel with SUB-D Cut-Out or FDDI Cut-Out.

CERTIFICATIONS



FEATURES

19" Front Panel with Cutout for Sub-D, ST type 3 or FDDI

PRODUCT ATTRIBUTES

Rack Height: 3U

Rack Width: 4HP

Accessory Type: Front panel

Package Quantity: 1

Front Finish: Painted

Rear Finish: Conductive

Number of Pins: (1) 9

Color Code: RAL 7035

Depth (D): 2.5mm

Finish: Powder Coated

Height (H): 128.4mm

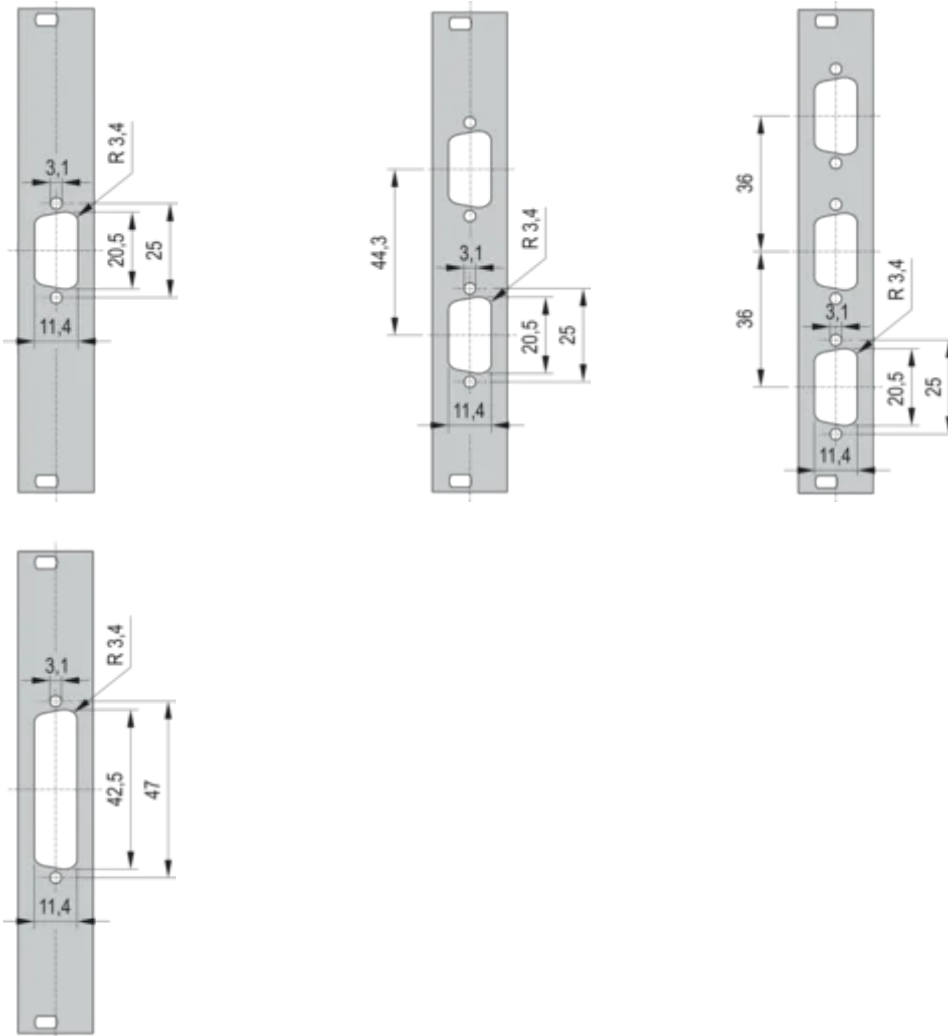
Material: Aluminum

Product Type: Front Panel

Width (W): 19.98mm

Net Weight: 0.015kg

DIAGRAMS



WARNING

nVent products shall be installed and used only as indicated in nVent's product instruction sheets and training materials. Instruction sheets are available at www.nvent.com and from your nVent customer service representative. Improper installation, misuse, misapplication or other failure to completely follow nVent's instructions and warnings may cause product malfunction, property damage, serious bodily injury and death and/or void your warranty.

North America

All locations
+1.763.422.2661
Chat with us:
nvent.com/schroff

Europe

Straubenhardt, Germany
+49.7082.794.0
Betschdorf, France
+33.3.88.90.64.90
Warsaw, Poland
+48.22.209.98.35
Assago, Italy
+39.02.932.7141
Chat with us:
nvent.com/schroff

Asia

Shanghai, China
+86.21.2412.6943
Qingdao, China
+86.532.8771.6101
Singapore
+65.6768.5800
Shin-Yokohama, Japan
+81.45.476.0271
Chat with us:
nvent.com/schroff

Middle East & India

Dubai, United Arab
Emirates
+971.4.378.1700
Bangalore, India
+91.80.6715.2001
Istanbul, Turkey
+90.216.250.7374
Chat with us:
nvent.com/schroff



Our powerful portfolio of brands:

CADDY ERICO HOFFMAN ILSCO SCHROFF TRACHTE