

# Universal Sway Brace

## Data Solutions



The nVent CADDY Universal Sway Brace is an innovative, versatile solution providing seismic bracing for suspended pipes. Featuring a unique slotted hole pattern for easy slip-on installation, installers can eliminate the risk and inconvenience of loose hardware, making it an ideal choice for ensuring safety and compliance on the job.

### CERTIFICATIONS



### FEATURES

Used for both lateral and longitudinal sway brace applications

Snap-off bolt head helps enable easy installation and inspection

Works with 1" to 2" (25,4mm to 50,8mm) brace pipes to reduce inventory

Works with 12 gauge or thicker Type A solid strut as brace member

Meets NFPA®-13 and CEN/TS 1755:2021 requirements for seismic sway bracing

FM Approved with the following brace members: Type A Solid Strut (12 gauge or thicker) and 1-2 in Sch40/EN 10255H Pipe

FM Specification Tested with the following brace members: Type A Solid Strut (12 gauge or thicker) and 1-2 in Sch40/EN 10255H Pipe

### SPECIFICATIONS

**Finish:** Electrogalvanized

**Material:** Steel

Table 1/2

Catalog Number	Article Number	Pipe Size, Nominal	Cast Iron	NB/DN	Brace NB/DN	Width (W)
CSB0100	404516	25.4mm		25	25 – 50mm	38mm
CSB0400	404522	101.6mm	101.6mm	100	25 – 50mm	38mm
CSB0125	404517	31.75mm		32	25 – 50mm	38mm
CSB0150	404518	38.1mm	38.1mm	40	25 – 50mm	38mm
CSB0200	404519	50.8mm	50.8mm	50	25 – 50mm	38mm
CSB0250	404520	63.5mm	63.5mm	65	25 – 50mm	38mm
CSB1200	404551	304.8mm	304.8mm	300	25 – 50mm	38mm
CSB0300	404521	76.2mm	76.2mm	80	25 – 50mm	38mm
CSB0500	404523			125	25 – 50mm	38mm
CSB1000	404526	254mm	254mm	250	25 – 50mm	38mm
CSB0800	404525	203.2mm	203.2mm	200	25 – 50mm	38mm
CSB0600	404524	152.4mm		150	25 – 50mm	38mm

Table 2/2

Catalog Number	Article Number	A	B	C	D	Certifications
CSB0100	404516	91mm	33mm	16mm	126mm	FM Approved, Seismic, OSHPD/HCAI, AON Fire Protection, Seismic Bracing Components, UL, cUL
CSB0400	404522	91mm	33mm	26mm	216mm	FM Approved, Seismic, UL, AON Fire Protection, Seismic Bracing Components, OSHPD/HCAI, cUL
CSB0125	404517	91mm	33mm	18mm	140mm	AON Fire Protection, Seismic Bracing Components, OSHPD/HCAI, FM Approved, Seismic, UL, cUL

Catalog Number	Article Number	A	B	C	D	Certifications
CSB0150	404518	91mm	33mm	19mm	136mm	UL, OSHPD/HCAI, AON Fire Protection, Seismic Bracing Components, FM Approved, Seismic, cUL
CSB0200	404519	91mm	33mm	21mm	151mm	AON Fire Protection, Seismic Bracing Components, UL, FM Approved, Seismic, OSHPD/HCAI, cUL
CSB0250	404520	91mm	33mm	24mm	171mm	OSHPD/HCAI, FM Approved, Seismic, AON Fire Protection, Seismic Bracing Components, UL, cUL
CSB1200	404551	91mm	33mm	25mm	429mm	AON Fire Protection, Seismic Bracing Components, FM Approved, Seismic, OSHPD/HCAI
CSB0300	404521	91mm	33mm	25mm	187mm	AON Fire Protection, Seismic Bracing Components, UL, FM Approved, Seismic, OSHPD/HCAI, cUL
CSB0500	404523	91mm	33mm	25mm	255mm	AON Fire Protection, Seismic Bracing Components, UL, OSHPD/HCAI, FM Approved, Seismic, cUL

Catalog Number	Article Number	A	B	C	D	Certifications
CSB1000	404526	91mm	33mm	25mm	386mm	AON Fire Protection, Seismic Bracing Components, FM Approved, Seismic, UL, OSHPD/HCAI, cUL
CSB0800	404525	91mm	33mm	31mm	331mm	FM Approved, Seismic, UL, AON Fire Protection, Seismic Bracing Components, OSHPD/HCAI, cUL
CSB0600	404524	91mm	33mm	29mm	275mm	OSHPD/HCAI, AON Fire Protection, Seismic Bracing Components, FM Approved, Seismic, UL, cUL

## ADDITIONAL PRODUCT DETAILS

---

FM® Specification Tested for 1-1/2 in to 4 in pipe sizes using no hub cast iron pipe.

Load ratings for Sch 10 may also be applied to AS 1074 Medium, GB/T 3091, EN 10255 (Medium or Heavy), and JIS G3452 pipe.

Load ratings for Sch 40 may also be applied to AS 1074 Heavy, GB/T 3091, EN 10255 (Heavy), and JIS G3454 pipe.

Load ratings for FM approved lightwall may also be applied to AS 1074 Lightwall, EN 10255 L, EN 10220, and GB/T 8163 pipe.

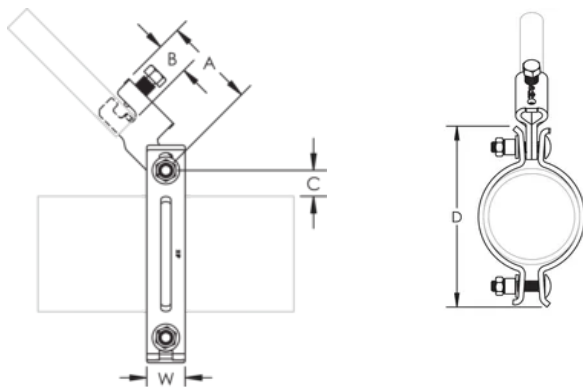
FM Approved with 12 gauge or thicker Type A solid strut as brace member

UL Loads								
Part Number	Lateral				Longitudinal			
	Sch 10/Sch 40 Service Pipe	Bull Moose Eddy Flow Service Pipe	Wheatland Mega-Flow Service Pipe	Youngstown Fire-Flo Service Pipe	Sch 10/Sch 40 Service Pipe	Bull Moose Eddy Flow Service Pipe	Wheatland Mega-Flow Service Pipe	Youngstown Fire-Flo Service Pipe
CSB0100xxx	8006 N	N/A	N/A	N/A	4448 N	N/A	N/A	N/A
CSB0125xxx	8006 N	8006 N	8006 N	N/A	3025 N	3025 N	3025 N	N/A
CSB0150xxx	8006 N	8006 N	8006 N	8006 N	4448 N	4448 N	4448 N	4448 N
CSB0200xxx	8006 N	8006 N	8006 N	8006 N	5782 N	5782 N	5782 N	5782 N
CSB0250xxx	8006 N	8006 N	8006 N	8006 N	5782 N	5782 N	5782 N	5782 N
CSB0300xxx	8006 N	8006 N	8006 N	8006 N	6227 N	6227 N	6227 N	6227 N
CSB0400xxx	8006 N	8006 N	8006 N	8006 N	7561 N	7561 N	7561 N	7561 N
CSB0500xxx	8006 N	N/A	N/A	N/A	7561 N	N/A	N/A	N/A
CSB0600xxx	8006 N	N/A	8006 N	N/A	7561 N	N/A	7561 N	N/A
CSB0800xxx	8006 N	N/A	N/A	N/A	7561 N	N/A	N/A	N/A
CSB1000xxx	8451 N	N/A	N/A	N/A	8451 N	N/A	N/A	N/A
CSB1200xxx	N/A	N/A	N/A	N/A	N/A	N/A	N/A	N/A

FM Loads								
Part Number	Horizontal Capacity per Installation Angle from Vertical							
	Lateral				Longitudinal			
	30° - 44°	45° - 59°	60° - 74°	75° - 90°	30° - 44°	45° - 59°	60° - 74°	75° - 90°
<b>FM Approved Lightwall, Sch 10 and Sch 40 Service Pipes</b>								
CSB0100xxx	6620 N	9380 N	11470 N	12890 N	5730 N	5510 N	5600 N	6220 N
CSB0125xxx	6130 N	8710 N	10670 N	11960 N	5730 N	5510 N	5600 N	6220 N
CSB0150xxx	6130 N	8710 N	10670 N	11960 N	5330 N	8270 N	9690 N	10000 N
CSB0200xxx	6130 N	8710 N	10670 N	11960 N	5330 N	8090 N	9690 N	10000 N
CSB0250xxx	6400 N	9020 N	11070 N	12410 N	5870 N	8090 N	9740 N	11120 N
CSB0300xxx	6180 N	8760 N	10760 N	12050 N	5780 N	7960 N	9740 N	11120 N
CSB0400xxx	6180 N	8760 N	10760 N	12050 N	5780 N	7960 N	9740 N	11120 N
CSB0500xxx	6180 N	8760 N	10760 N	12050 N	5780 N	7960 N	9740 N	11120 N
CSB0600xxx	6490 N	9160 N	11200 N	12580 N	6270 N	8670 N	10450 N	11920 N
<b>0.188" Wall and Sch 40 Service Pipes</b>								
CSB0800xxx	5910 N	8360 N	10230 N	11470 N	6220 N	8540 N	10450 N	11740 N
CSB1000xxx	5910 N	8360 N	10230 N	11470 N	6220 N	8540 N	10450 N	11740 N
CSB1200xxx	7470 N	10540 N	12940 N	14500 N	7110 N	8270 N	9960 N	11520 N

## DIAGRAMS

---



## WARNING

---

nVent products shall be installed and used only as indicated in nVent's product instruction sheets and training materials. Instruction sheets are available at [www.nvent.com](http://www.nvent.com) and from your nVent customer service representative. Improper installation, misuse, misapplication or other failure to completely follow nVent's instructions and warnings may cause product malfunction, property damage, serious bodily injury and death and/or void your warranty.



Our powerful portfolio of brands:

**CADDY ERICO HOFFMAN ILSCO SCHROFF TRACHTE**