

# Industrial Stack Base, Horizontal Cable Run



## CERTIFICATIONS



## FEATURES

Cast air terminal base for use with horizontal conductor runs

Industrial stack installations require additional support from industrial stack terminal holders

## SPECIFICATIONS

**Material:** Copper

Table 1/2

Catalog Number	Finish	Thread Size (TS)	Depth (D)	Height (H)	Width (W)	Unit Weight
LPC431	Bare	5/8" UNC	25.4mm	100 mm	76.2 mm	0.53 kg
LPLC431	Lead Covered	5/8" UNC	25.4mm	100 mm	76.2 mm	1.21 kg

Table 2/2

Catalog Number	Certifications
LPC431	E202878-Combined_CoC, E202878-Combined_CoC
LPLC431	

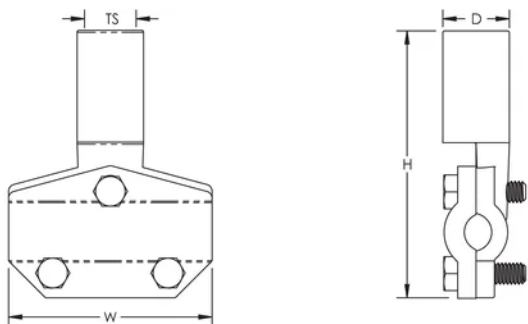
## ADDITIONAL PRODUCT DETAILS

---

Where applicable, lead covering thickness is a minimum of 1/16" (1.59 mm) and is not included in the stated dimensions.

## DIAGRAMS

---



## WARNING

---

nVent products shall be installed and used only as indicated in nVent's product instruction sheets and training materials. Instruction sheets are available at [www.nvent.com](http://www.nvent.com) and from your nVent customer service representative. Improper installation, misuse, misapplication or other failure to completely follow nVent's instructions and warnings may cause product malfunction, property damage, serious bodily injury and death and/or void your warranty.

### North America

+1.800.753.9221

Option 1 – Customer Care

Option 2 – Technical

Support

### Europe

Netherlands:

+31 800-0200135

France:

+33 800 901 793

### Europe

Germany:

800 1890272

Other Countries:

+31 13 5835404

### APAC

Shanghai:

+ 86 21 2412 1618/19

Sydney:

+61 2 9751 8500



Our powerful portfolio of brands:

**CADDY**

**ERICO**

**HOFFMAN**

**ILSCO**

**SCHROFF**

**TRACHTE**