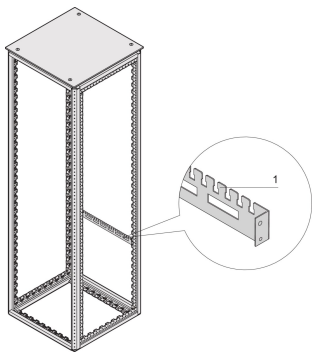


Varistar CP Cable Support Rail for Cabinet Width



Varistar CP horizontal cable support rail in the cabinet width. Mounted directly at the frame.

CERTIFICATIONS



FEATURES

For cable shells (bottom row) and for cable ties, resp. Velcro (top row)

For cable ducting in rear area of cabinet

SPECIFICATIONS

Material: Steel
Product Type: Support Rail

Table 1/2

Catalog Number	Width	Package Quantity	Color	Color Code	Finish	Length
21236-093	600mm	2	Black Grey	RAL 7021	Powder Coated	550mm
23130-312	800mm	2	Black Grey	RAL 7021	Powder Coated	750mm

Table 2/2

Catalog Number	Type	Works With
----------------	------	------------

21236-093	Cable Support, Rear Mount	Varistar CP
23130-312	Cable Support, Rear Mount	Varistar CP

WARNING

nVent products shall be installed and used only as indicated in nVent's product instruction sheets and training materials. Instruction sheets are available at www.nvent.com and from your nVent customer service representative. Improper installation, misuse, misapplication or other failure to completely follow nVent's instructions and warnings may cause product malfunction, property damage, serious bodily injury and death and/or void your warranty.

North America

All locations
+1.763.422.2661
Chat with us:
nvent.com/schroff

Europe

Straubenhardt, Germany
+49.7082.794.0
Betschdorf, France
+33.3.88.90.64.90
Warsaw, Poland
+48.22.209.98.35
Assago, Italy
+39.02.932.7141
Chat with us:
nvent.com/schroff

Asia

Shanghai, China
+86.21.2412.6943
Qingdao, China
+86.532.8771.6101
Singapore
+65.6768.5800
Shin-Yokohama, Japan
+81.45.476.0271
Chat with us:
nvent.com/schroff

Middle East & India

Dubai, United Arab Emirates
+971.4.378.1700
Bangalore, India
+91.80.6715.2001
Istanbul, Turkey
+90.216.250.7374
Chat with us:
nvent.com/schroff



Our powerful portfolio of brands:

CADDY ERICO HOFFMAN ILSCO SCHROFF TRACHTE