

nVent CADDY Macrofix, Stainless Steel, 165–168 mm OD, 6" Pipe, 150 DN, M10 Rod

CATALOG NUMBER

MXT168S6



FEATURES

Category II noise reduction according to DIN EN ISO 3822-1

Compliant for sound insulation design according to DIN 4109

Reaction-to-fire classification is "E" in compliance with DIN EN 13501-1

PRODUCT ATTRIBUTES

Article Number: 595760

Material: Stainless Steel 316 (EN 1.4401);EPDM-SBR Rubber

Finish: Electropolished

Temperature: -50 to 110 °C

Outer Diameter (OD): 165 - 168 mm

Pipe Size: 6"

NB/DN: 150

Rod Size (RS): M10

Width (W): 25 mm

Thickness (T): 2.5 mm

Screw Diameter (Sc): 6

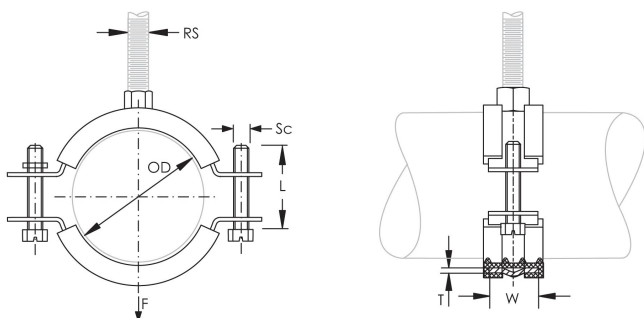
Screw Length (L): 25mm

Static Load: 2200N

ADDITIONAL PRODUCT DETAILS

Lining is EPDM rubber.

DIAGRAMS



WARNING

nVent products shall be installed and used only as indicated in nVent's product instruction sheets and training materials. Instruction sheets are available at www.nvent.com and from your nVent customer service representative. Improper installation, misuse, misapplication or other failure to completely follow nVent's instructions and warnings may cause product malfunction, property damage, serious bodily injury and death and/or void your warranty.

North America

+1.800.753.9221

Option 1 – Customer Care

Option 2 – Technical

Support

Europe

Netherlands:

+31 800-0200135

France:

+33 800 901 793

Europe

Germany:

800 1890272

Other Countries:

+31 13 5835404

APAC

Shanghai:

+ 86 21 2412 1618/19

Sydney:

+61 2 9751 8500



Our powerful portfolio of brands:

CADDY

ERICO

HOFFMAN

ILSCO

SCHROFF

TRACHTE

