

Plug-In Units Front Panel for Handle Form 1



Flat front panel. Enables the assembly of form 1 trapezoid form extraction handle. The front panel can be shielded with a textile gasket.

CERTIFICATIONS



FEATURES

Front panel, unshielded

Front panel, Al, 2.5 mm, front anodized, rear conductive

SPECIFICATIONS

- Material:** Aluminum
- Finish:** Anodized; Passivated
- Accessory Type:** Front panel
- Product Type:** Front Panel
- Type:** Front Panel with Handle (PIU)

Table 1/3

Catalog Number	Rack Height	Rack Width	Package Quantity	Handle Type	Mounting	Front Finish
30847-670	6U	8HP	1	Trapezoid, Type 1	Screw-on Front	Anodized
30847-660	3U	5HP	1	Trapezoid, Type 1	Screw-on Front	Anodized

Catalog Number	Rack Height	Rack Width	Package Quantity	Handle Type	Mounting	Front Finish
30847-667	6U	5HP	1	Trapezoid, Type 1	Screw-on Front	Anodized
30847-668	6U	6HP	1	Trapezoid, Type 1	Screw-on Front	Anodized
30847-666	6U	4HP	1	Trapezoid, Type 1	Screw-on Front	Anodized
30847-669	6U	7HP	1	Trapezoid, Type 1	Screw-on Front	Anodized
30847-665	3U	12HP	1	Trapezoid, Type 1	Screw-on Front	Anodized
30847-664	3U	10HP	1	Trapezoid, Type 1	Screw-on Front	Anodized
30847-671	6U	10HP	1	Trapezoid, Type 1	Screw-on Front	Anodized
30847-663	3U	8HP	1	Trapezoid, Type 1	Screw-on Front	Anodized
30847-672	6U	12HP	1	Trapezoid, Type 1	Screw-on Front	Anodized
30847-661	3U	6HP	1	Trapezoid, Type 1	Screw-on Front	Anodized
30847-659	3U	4HP	1	Trapezoid, Type 1	Screw-on Front	Anodized
30847-662	3U	7HP	1	Trapezoid, Type 1	Screw-on Front	Anodized

Table 2/3

Catalog Number	Rear Finish	Treated Edges	Complies With	Depth (D)	EMC Shielding	Height (H)
30847-670	Conductive	No	IEC 60297-3-101, IEEE 1101.1/11	2.5mm	No	261.8mm
30847-660	Conductive	No	IEC 60297-3-101, IEEE 1101.1/11	2.5mm	No	128.4mm
30847-667	Conductive	No	IEC 60297-3-101, IEEE 1101.1/11	2.5mm	No	261.8mm
30847-668	Conductive	No	IEC 60297-3-101, IEEE 1101.1/11	2.5mm	No	261.8mm

Catalog Number	Rear Finish	Treated Edges	Complies With	Depth (D)	EMC Shielding	Height (H)
30847-666	Conductive	No	IEC 60297-3-101, IEEE 1101.1/11	2.5mm	No	261.8mm
30847-669	Conductive	No	IEC 60297-3-101, IEEE 1101.1/11	2.5mm	No	261.8mm
30847-665	Conductive	No	IEC 60297-3-101, IEEE 1101.1/11	2.5mm	No	128.4mm
30847-664	Conductive	No	IEC 60297-3-101, IEEE 1101.1/11	2.5mm	No	128.4mm
30847-671	Conductive	No	IEC 60297-3-101, IEEE 1101.1/11	2.5mm	No	261.8mm
30847-663	Conductive	No	IEC 60297-3-101, IEEE 1101.1/11	2.5mm	No	128.4mm
30847-672	Conductive	No	IEC 60297-3-101, IEEE 1101.1/11	2.5mm	No	261.8mm
30847-661	Conductive	No	IEC 60297-3-101, IEEE 1101.1/11	2.5mm	No	128.4mm
30847-659	Conductive	No	IEC 60297-3-101, IEEE 1101.1/11	2.5mm	No	128.4mm
30847-662	Conductive	No	IEC 60297-3-101, IEEE 1101.1/11	2.5mm	No	128.4mm

Table 3/3

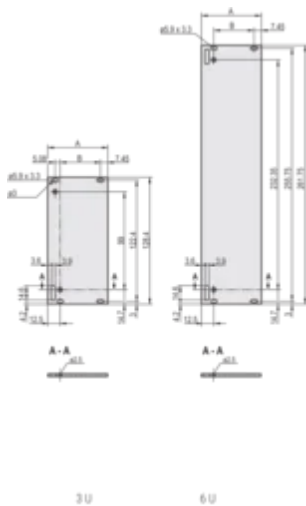
Catalog Number	Width (W)
30847-670	40.3mm
30847-660	25mm
30847-667	25mm
30847-668	30.1mm
30847-666	20mm
30847-669	35.2mm
30847-665	60.6mm
30847-664	50.5mm

Catalog Number	Width (W)
30847-671	50.5mm
30847-663	40.3mm
30847-672	60.6mm
30847-661	30.1mm
30847-659	20mm
30847-662	35.2mm

ADDITIONAL PRODUCT DETAILS

Please take into consideration that deliveries may be carried out in the stated SPQs (SPQ, e.g. 5 pieces, 10 pieces, 50 pieces, etc.). Differing order quantities (e.g. 2 pieces) may be changed to the next possible delivery quantity = Standard Pack Quantity.

DIAGRAMS



WARNING

nVent products shall be installed and used only as indicated in nVent's product instruction sheets and training materials. Instruction sheets are available at www.nvent.com and from your nVent customer service representative. Improper installation, misuse, misapplication or other failure to completely follow nVent's instructions and warnings may cause product malfunction, property damage, serious bodily injury and death and/or void your warranty.

North America

All locations

+1.763.422.2661

Chat with us:

nvent.com/schroff

Europe

Straubenhardt, Germany

+49.7082.794.0

Betschdorf, France

+33.3.88.90.64.90

Warsaw, Poland

+48.22.209.98.35

Assago, Italy

+39.02.932.7141

Chat with us:

nvent.com/schroff

Asia

Shanghai, China

+86.21.2412.6943

Qingdao, China

+86.532.8771.6101

Singapore

+65.6768.5800

Shin-Yokohama, Japan

+81.45.476.0271

Chat with us:

nvent.com/schroff

Middle East & India

Dubai, United Arab

Emirates

+971.4.378.1700

Bangalore, India

+91.80.6715.2001

Istanbul, Turkey

+90.216.250.7374

Chat with us:

nvent.com/schroff



Our powerful portfolio of brands:

CADDY

ERICO

HOFFMAN

ILSCO

SCHROFF

TRachte