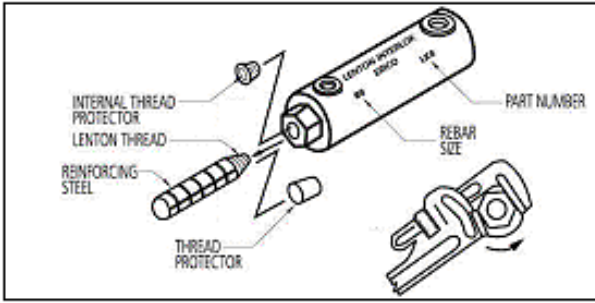


LENTON[®] INTERLOK



LENTON INTERLOK couplers are fastened to the rebar using a LENTON Tapered Threaded Bar End and then placed into a pre-cast form. The LENTON INTERLOK slice is completed at the job site by inserting the exposed dowels of an adjoining pre-cast member into the coupler grout cavities and filling with ERICO INTERLOK HY10L High Strength Grout.

				 INTERLOC Coupler No.		
in.-lb.	(Metric)	Soft Metric	(Canada)		Nm	ft.-lb.
#6	(20mm)	19	(20M)	LK6	180	130
#7	(22mm)	22	---	LK7	220	160
#8	(25mm)	25	(25M)	LK8	270	200
#9	(28mm)	29	(30M)	LK9	270	200
#10	(32mm)	32	---	LK10	300	200*
#11	(36mm)	36	(35M)	LK11	300	200*
---	(40mm)	---	---	LKT14SP	350	200*
#14	(43mm)	43	(45M)	LKT14	350	200*
---	(50mm)	---	---	LKT18SP	350	200*
#18	(57mm)	---	(55M)	LKT18	350	200*

* Americas Only

NOTE! Ref. LENTON INTERLOK user manual # C400B for completed instructions.

Attaching Coupler to Rebar

Determine whether the coupler is the correct size for the bars being spliced. Each coupler is identified with the bar size and part number (see chart). Remove internal thread protector if installed.

Remove the bar end thread protector. Examine tapered threaded bar end to make sure it is not damaged and clean. If cleaning is required, a wire brush should be used. Install coupler until hand tight, approx. 4-1/2 turns clockwise.

To complete installation, hold rebar stationary and torque the coupler using a standard 18" pipe wrench. (ref. chart for approx. torque required.) A LENTON Inspection wrench can be used by inspectors to periodically check the installation.

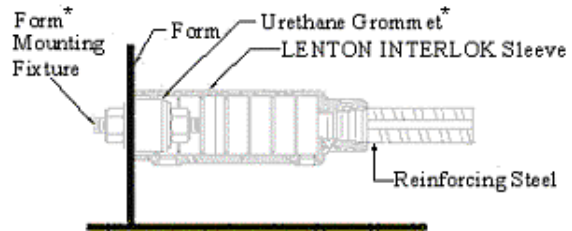
Attachment to the Form:

Follow the instructions provided with LENTON INTERLOK Form Mounting Fixtures. It is important that the Form Mounting Fixture is tightened properly so that the urethane grommet is expanded enough to firmly securing the coupler to the form and preventing concrete slurry from entering the coupler grout cavity during the pour.

Gravity Fill Applications:

(grout tubes **NOT** required)

Ensure coupler grout ports are permanently plugged and sealed to prevent concrete slurry from entering coupler grout cavity. Place coupler as required.



* Order Separately

WARNING

1. ERICO products shall be installed and used only as indicated in ERICO product instruction sheets and training materials. Instruction sheets are available at www.erico.com and from your ERICO customer service representative.
2. ERICO products must never be used for a purpose other than the purpose for which they were designed or in a manner that exceeds specified load ratings.
3. All instructions must be completely followed to ensure proper and safe installation and performance.
4. Improper installation, misuse, misapplication or other failure to completely follow ERICO's instructions and warnings may cause product malfunction, property damage, serious bodily injury and death.

The customer is responsible for:

- a. Conformance to all governing codes.
- b. The integrity of structures to which the products are attached, including their capability of safely accepting the loads imposed, as evaluated by a qualified engineer.
- c. Using appropriate industry standard hardware as noted above.

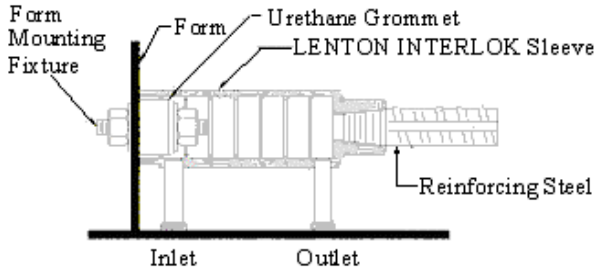
SAFETY INSTRUCTIONS: All governing codes and regulations and those required by the job site must be observed. Always use appropriate safety equipment such as eye protection, hard hat, and gloves as appropriate to the application.

CADDY, CADWELD, CRITEC, ERICO, ERIFLEX, ERITECH and LENTON are registered trademarks of ERICO International Corporation

Pump Fill Applications

(grout tubes required):

Place coupler as required. Ensure that grout ports are properly sized, positioned and cut to adequate length. Secure coupler and grout tubes to prevent movement before or during the pour.



NOTE! It is recommended that grout tube lengths be kept to a minimum to ease job site installation of LENTON INTERLOK HY10L grout. Slight bending of PVC tubing may be required to ensure proper installation of grout tubes. Temporarily plug access to grout tubes to prevent debris from obstructing placement of grout at job site.

DOWEL LENGTHS and INSPECTION:

Check required dowel lengths (ref. #C400B user manual). Dowel lengths may need to be longer due to sealing (bedding) mortar requirements for the project. Check project plans and ensure dowel lengths have adequate lengths.

NOTE! Ref. LENTON INTERLOK user manual # C400B for completed instructions.

POURING OF FORMS:

Ensure all requirements of project plans are complete. When pouring concrete, make sure not to disturb placement of grout tubes.

REMOVAL OF FORMS AND COUPLER

INSPECTION:

Remove all LENTON INTERLOK Form Mounting Fixtures and formwork. Remove temporary plugs at end of grout tubes and inspect to ensure tubes are clear and free of any obstructions that would inhibit the flow of grout to the coupler grout cavity. Check coupler grout cavities and remove any existing concrete slurry, etc.

Re-install temporary plugs in grout tubes and coupler grout cavities so as to provide protection from debris during storage, transit to job site, etc. These should be removed when pre-cast member is ready to be installed at job site.