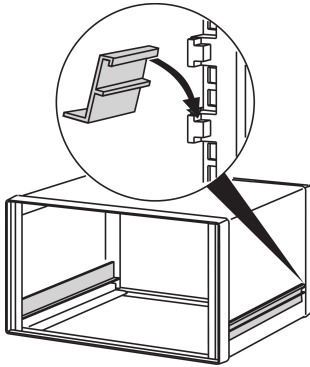


# Comptec Slide Rail for 19" Case



Slide rails are made from Aluminum profile, suitable as supports for 19" subracks and 19" chassis.

## CERTIFICATIONS



## FEATURES

Slide rails are suitable as supports for 19" subracks and 19" chassis

## SPECIFICATIONS

- Material:** Aluminum
- Works With:** Cases
- Product Family:** Comptec
- Product Type:** Slide Rail

Table 1/1

Catalog Number	Depth	Package Quantity
30225-089	300mm	1
30225-092	600mm	1
30225-091	500mm	1
30225-090	400mm	1

## ADDITIONAL PRODUCT DETAILS

---

2 slide rails are required per subrack or 19" chassis.

Slide rail cannot be used for shielded 19" subracks; special slide rails available on request.

## WARNING

---

nVent products shall be installed and used only as indicated in nVent's product instruction sheets and training materials. Instruction sheets are available at [www.nvent.com](http://www.nvent.com) and from your nVent customer service representative. Improper installation, misuse, misapplication or other failure to completely follow nVent's instructions and warnings may cause product malfunction, property damage, serious bodily injury and death and/or void your warranty.

### North America

All locations  
+1.763.422.2661  
Chat with us:  
[nvent.com/schroff](http://nvent.com/schroff)

### Europe

Straubenhardt, Germany  
+49.7082.794.0  
Betschdorf, France  
+33.3.88.90.64.90  
Warsaw, Poland  
+48.22.209.98.35  
Assago, Italy  
+39.02.932.7141  
Chat with us:  
[nvent.com/schroff](http://nvent.com/schroff)

### Asia

Shanghai, China  
+86.21.2412.6943  
Qingdao, China  
+86.532.8771.6101  
Singapore  
+65.6768.5800  
Shin-Yokohama, Japan  
+81.45.476.0271  
Chat with us:  
[nvent.com/schroff](http://nvent.com/schroff)

### Middle East & India

Dubai, United Arab  
Emirates  
+971.4.378.1700  
Bangalore, India  
+91.80.6715.2001  
Istanbul, Turkey  
+90.216.250.7374  
Chat with us:  
[nvent.com/schroff](http://nvent.com/schroff)



Our powerful portfolio of brands:

**CADDY ERICO HOFFMAN ILSCO SCHROFF TRACHTE**