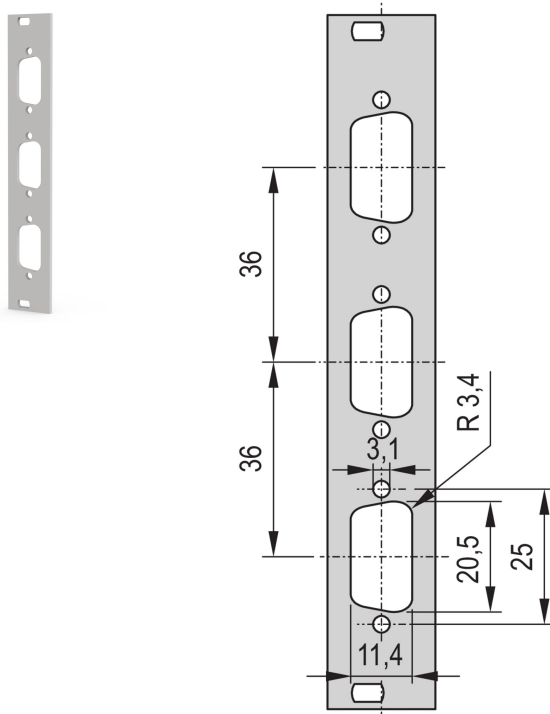


# 19" Front Panel With D-Sub Cutout, 3x9-pin, 3U, 4 HP, 2.5 mm, Al, RAL 7035

## CATALOG NUMBER

**30118-332**



19" Front Panel with SUB-D Cut-Out or FDDI Cut-Out.

## CERTIFICATIONS



## FEATURES

19" Front Panel with Cutout for Sub-D, ST type 3 or FDDI

## PRODUCT ATTRIBUTES

---

Rack Height: 3U

Rack Width: 4HP

Accessory Type: Front panel

Package Quantity: 1

Front Finish: Painted

Rear Finish: Conductive

Number of Pins: (3) 9

Color Code: RAL 7035

Depth (D): 2.5mm

Finish: Powder Coated

Height (H): 128.4mm

Material: Aluminum

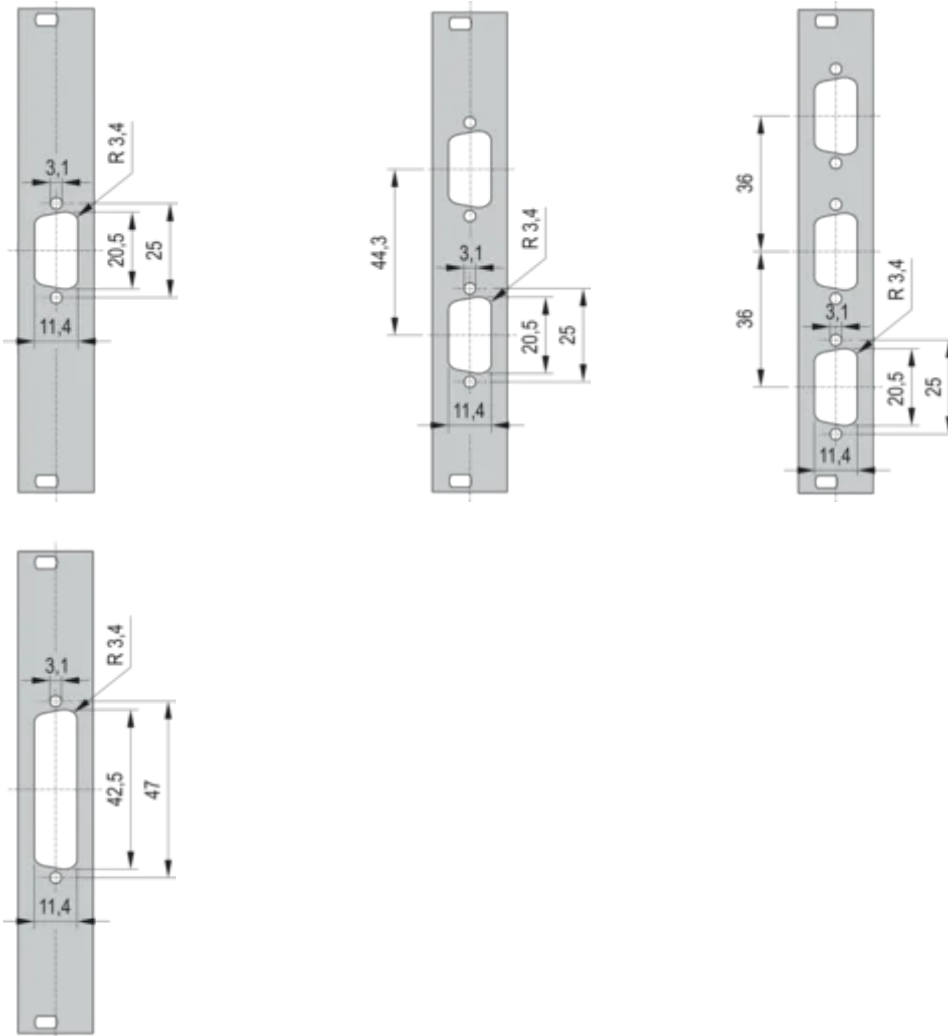
Product Type: Front Panel

Width (W): 19.98mm

Net Weight: 0.012kg

## DIAGRAMS

---



## WARNING

---

nVent products shall be installed and used only as indicated in nVent's product instruction sheets and training materials. Instruction sheets are available at [www.nvent.com](http://www.nvent.com) and from your nVent customer service representative. Improper installation, misuse, misapplication or other failure to completely follow nVent's instructions and warnings may cause product malfunction, property damage, serious bodily injury and death and/or void your warranty.

### North America

All locations  
+1.763.422.2661  
Chat with us:  
[nvent.com/schroff](https://nvent.com/schroff)

### Europe

Straubenhardt, Germany  
+49.7082.794.0  
Betschdorf, France  
+33.3.88.90.64.90  
Warsaw, Poland  
+48.22.209.98.35  
Assago, Italy  
+39.02.932.7141  
Chat with us:  
[nvent.com/schroff](https://nvent.com/schroff)

### Asia

Shanghai, China  
+86.21.2412.6943  
Qingdao, China  
+86.532.8771.6101  
Singapore  
+65.6768.5800  
Shin-Yokohama, Japan  
+81.45.476.0271  
Chat with us:  
[nvent.com/schroff](https://nvent.com/schroff)

### Middle East & India

Dubai, United Arab  
Emirates  
+971.4.378.1700  
Bangalore, India  
+91.80.6715.2001  
Istanbul, Turkey  
+90.216.250.7374  
Chat with us:  
[nvent.com/schroff](https://nvent.com/schroff)



Our powerful portfolio of brands:

**CADDY ERICO HOFFMAN ILSCO SCHROFF TRACHTE**