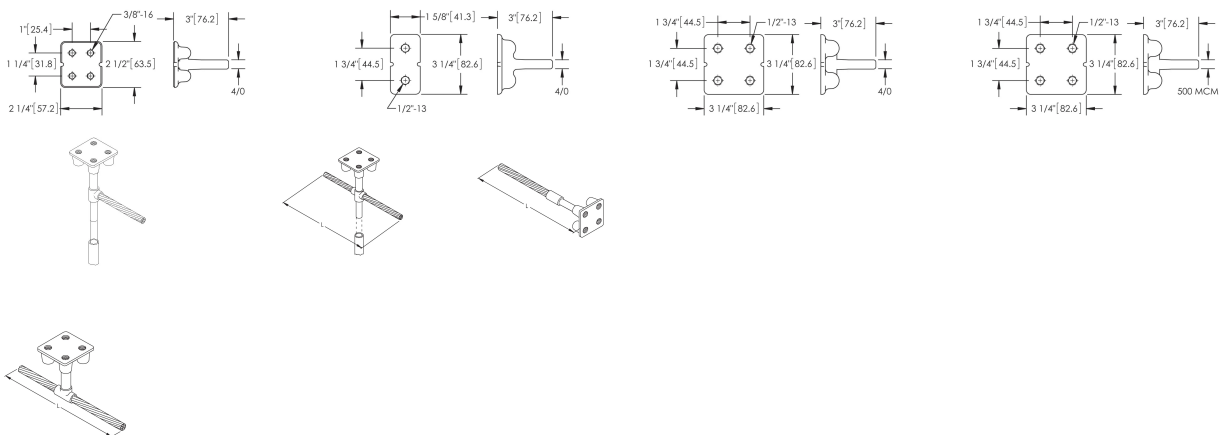


Ground Point Assembly



DIAGRAMS



FEATURES

Convenient ground system connection points in concrete structures

Used for equipment, machinery and structure grounding

Results in maximum current-carrying capacity equal to the cross-sectional area of the conductor or stud

The nVent ERICO Cadweld connection between the stud and pigtail will not loosen or corrode

SPECIFICATIONS

Material: Copper Alloy

Table 1/3

Catalog Number	Ground Plate Configuration	Ground Plate Part Number	Conductor Size	Cable Length
B531D2Q6	RB	B1642Q	4/0 Stranded	152mm
B532D2G12	SS	B1642Q	2/0 Ropelay	305mm
B530D2Q12	RA	B1642Q	4/0 Stranded	305mm
B531D2Q12	RB	B1642Q	4/0 Stranded	305mm
B533D2Q12	TA	B1642Q	4/0 Stranded	305mm
B530D2Q96	RA	B1642Q	4/0 Stranded	2438"
B530D2G18	RA	B1642Q	2/0 Ropelay	457mm
B532C2G24	SS	B1622Q	2/0 Ropelay	610mm
B530D2G24	RA	B1642Q	2/0 Ropelay	610mm
B532D2C24	SS	B1642Q	1/0 Stranded	610mm
B533A2Q24	TA	B1612Q	4/0 Stranded	610mm
B530C2C24	RA	B1622Q	1/0 Stranded	610mm
B530D2Q24	RA	B1642Q	4/0 Stranded	610mm
B531D2Q24	RB	B1642Q	4/0 Stranded	610mm
B531D2G24	RB	B1642Q	2/0 Ropelay	610mm
B533D2Q24	TA	B1642Q	4/0 Stranded	610mm
B530D2Q32	RA	B1642Q	4/0 Stranded	813mm
B530D2Q36	RA	B1642Q	4/0 Stranded	914mm
B532D2Q36	SS	B1642Q	4/0 Stranded	914mm
B531A2Q36	RB	B1612Q	4/0 Stranded	914mm

Table 2/3

Catalog Number	Ground Plate Configuration	Ground Plate Part Number	Conductor Size	Cable Length
B532D1V36	SS	B1642Q	#2 Stranded	914mm
B532D2C36	SS	B1642Q	1/0 Stranded	914mm
B530C2Q36	RA	B1622Q	4/0 Stranded	914mm
B530D2C48	RA	B1642Q	1/0 Stranded	1219mm
B532D2Q40	SS	B1642Q	4/0 Stranded	1016mm
B530D2Q48	RA	B1642Q	4/0 Stranded	1219mm
B530D2G48	RA	B1642Q	2/0 Ropelay	1219mm
B532D1L48	SS	B1642Q	#4 Stranded	1219mm
B532C2V48	SS	B1622Q	250 kcmil Stranded	1219mm
B532C2Q48	SS	B1622Q	4/0 Stranded	1219mm

Catalog Number	Ground Plate Configuration	Ground Plate Part Number	Conductor Size	Cable Length
B533D2Q48	TA	B1642Q	4/0 Stranded	1219mm
B532A2Q48	SS	B1612Q	4/0 Stranded	1219mm
B531D2Q48	RB	B1642Q	4/0 Stranded	1219mm
B530A2Q48	RA	B1612Q	4/0 Stranded	1219mm
B530C2G48	RA	B1622Q	2/0 Ropelay	1219mm
B532D2Q48	SS	B1642Q	4/0 Stranded	1219mm
B530C2Q48	RA	B1622Q	4/0 Stranded	1219mm
B533A2G48	TA	B1612Q	2/0 Ropelay	1219mm
B533C2Q48	TA	B1622Q	4/0 Stranded	1219mm
B532E3Q48	SS	B1643Q	500 kcmil Ropelay	1219mm

Table 3/3

Catalog Number	Ground Plate Configuration	Ground Plate Part Number	Conductor Size	Cable Length
B532D2Q50	SS	B1642Q	4/0 Stranded	1270mm
B532C2G60	SS	B1622Q	2/0 Ropelay	1524mm
B530D2Q72	RA	B1642Q	4/0 Stranded	1829mm
B532D2Q72	SS	B1642Q	4/0 Stranded	1829mm
B530A2Q72	RA	B1612Q	4/0 Stranded	1829mm
B531D2Q72	RB	B1642Q	4/0 Stranded	1829mm
B530D2G180	RA	B1642Q	2/0 Ropelay	4572mm
B532E3D96	SS	B1643Q	350 kcmil Stranded	2438mm
B530C2Q96	RA	B1622Q	4/0 Stranded	2438mm
B532E3Q96	SS	B1643Q	500 kcmil Ropelay	2438mm
B531D2Q96	RB	B1642Q	4/0 Stranded	2438mm
B530D2Q120	RA	B1642Q	4/0 Stranded	3048mm
B531D2Q120	RB	B1642Q	4/0 Stranded	3048mm
B531D2Q144	RB	B1642Q	4/0 Stranded	3658mm
B530D2Q144	RA	B1642Q	4/0 Stranded	3658mm
B532C2Q240	SS	B1622Q	4/0 Stranded	6096mm
B530D2Q180	RA	B1642Q	4/0 Stranded	4572mm

ADDITIONAL PRODUCT DETAILS

Custom lengths available.

B530-A-2Q-72		
B530	Ground Plate Configuration	B530 = RA B531 = RB B532 = SS B533 = TA
A	Ground Plate Part Number	A = B1612Q B = B1613Q C = B1622Q D = B1642Q E = B1643Q
2Q	Cable Code	1G = #6 Solid 1L = #4 Stranded 1V = #2 Stranded 2C = 1/0 Stranded 2G = 2/0 Stranded 2Q = 4/0 Stranded 2V = 250 MCM Stranded 3D = 350 MCM Stranded 3Q = 500 MCM Stranded
72	Cable Length (inches)	

WARNING

nVent products shall be installed and used only as indicated in nVent's product instruction sheets and training materials. Instruction sheets are available at www.nvent.com and from your nVent customer service representative. Improper installation, misuse, misapplication or other failure to completely follow nVent's instructions and warnings may cause product malfunction, property damage, serious bodily injury and death and/or void your warranty.

North America

+1.800.753.9221
Option 1 – Customer Care
Option 2 – Technical Support

Europe

Netherlands:
+31 800-0200135
France:
+33 800 901 793

Europe

Germany:
800 1890272
Other Countries:
+31 13 5835404

APAC

Shanghai:
+ 86 21 2412 1618/19
Sydney:
+61 2 9751 8500



Our powerful portfolio of brands:

CADDY ERICO HOFFMAN ILSCO SCHROFF TRACHTE