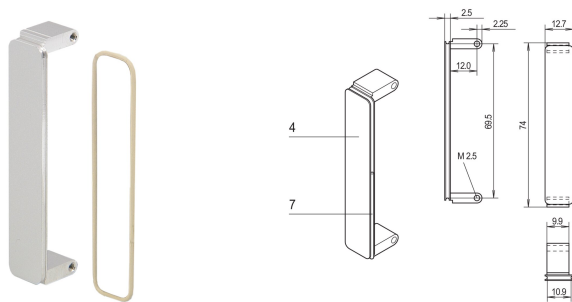


# PMC Mezzanine Front Panel, Non-Shielded, Black Chromated Zinc Die-Cast

## CATALOG NUMBER

**20835-931**



Mezzanine front panel is fitted into PMC front panel cut-outs. Available in different treatments.

## CERTIFICATIONS



## FEATURES

Mezzanine front panel is fitted into PMC front panel cut-outs

EMC shielding with conductive O-ring

## PRODUCT ATTRIBUTES

Product Type: Front Panel

Type: Front Panel without Handle

Mounting: Screw-on Front

EMC Shielding: No (Retrofittable)

Material: Zinc

Front Finish: Anodized

Rear Finish: Conductive

Treated Edges: No

Height: 74mm

Width: 12.7mm

Complies With: PMC Mezzanine, IEEE P1386

Package Quantity: 10

Net Weight: 0.23kg

## WARNING

nVent products shall be installed and used only as indicated in nVent's product instruction sheets and training materials. Instruction sheets are available at [www.nvent.com](http://www.nvent.com) and from your nVent customer service representative. Improper installation, misuse, misapplication or other failure to completely follow nVent's instructions and warnings may cause product malfunction, property damage, serious bodily injury and death and/or void your warranty.

### North America

All locations  
+1.763.422.2661  
Chat with us:  
[nvent.com/schroff](http://nvent.com/schroff)

### Europe

Straubenhardt, Germany  
+49.7082.794.0  
Betschdorf, France  
+33.3.88.90.64.90  
Warsaw, Poland  
+48.22.209.98.35  
Assago, Italy  
+39.02.932.7141  
Chat with us:  
[nvent.com/schroff](http://nvent.com/schroff)

### Asia

Shanghai, China  
+86.21.2412.6943  
Qingdao, China  
+86.532.8771.6101  
Singapore  
+65.6768.5800  
Shin-Yokohama, Japan  
+81.45.476.0271  
Chat with us:  
[nvent.com/schroff](http://nvent.com/schroff)

### Middle East & India

Dubai, United Arab  
Emirates  
+971.4.378.1700  
Bangalore, India  
+91.80.6715.2001  
Istanbul, Turkey  
+90.216.250.7374  
Chat with us:  
[nvent.com/schroff](http://nvent.com/schroff)



Our powerful portfolio of brands:

**CADDY ERICO HOFFMAN ILSCO SCHROFF TRACHTE**