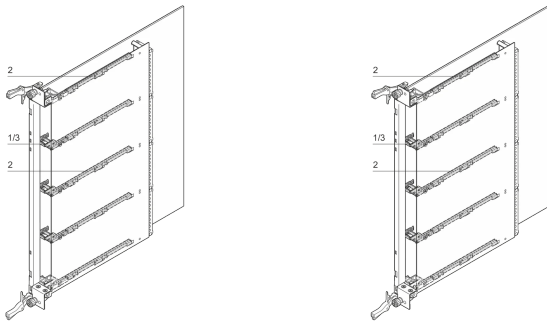


Guide Rail for AdvancedMC Mid-Size Modules

CATALOG NUMBER

20849-166



Guide rail for AdvancedMC mid-size modules.

FEATURES

Plastic guide rail, PBT, UL 94 V-0, green

Board guiding is always done with support member (strut) and guide rail

Support member (strut) assembled between the covers A and B

Guide rails are clipped into the cover

Optional ESD-clip available

PRODUCT ATTRIBUTES

Product Type: Guide Rail

Product Family: AdvancedMC

Type: Guide

Material: Polybutylene Terephthalate

Color: Green

Package Quantity: 10

Net Weight: 0.02kg

WARNING

nVent products shall be installed and used only as indicated in nVent's product instruction sheets and training materials. Instruction sheets are available at www.nvent.com and from your nVent customer service representative. Improper installation, misuse, misapplication or other failure to completely follow nVent's instructions and warnings may cause

product malfunction, property damage, serious bodily injury and death and/or void your warranty.

North America

All locations
+1.763.422.2661
Chat with us:
nvent.com/schroff

Europe

Straubenhardt, Germany
+49.7082.794.0
Betschdorf, France
+33.3.88.90.64.90
Warsaw, Poland
+48.22.209.98.35
Assago, Italy
+39.02.932.7141
Chat with us:
nvent.com/schroff

Asia

Shanghai, China
+86.21.2412.6943
Qingdao, China
+86.532.8771.6101
Singapore
+65.6768.5800
Shin-Yokohama, Japan
+81.45.476.0271
Chat with us:
nvent.com/schroff

Middle East & India

Dubai, United Arab
Emirates
+971.4.378.1700
Bangalore, India
+91.80.6715.2001
Istanbul, Turkey
+90.216.250.7374
Chat with us:
nvent.com/schroff



Our powerful portfolio of brands:

CADDY ERICO HOFFMAN ILSCO SCHROFF TRACHTE