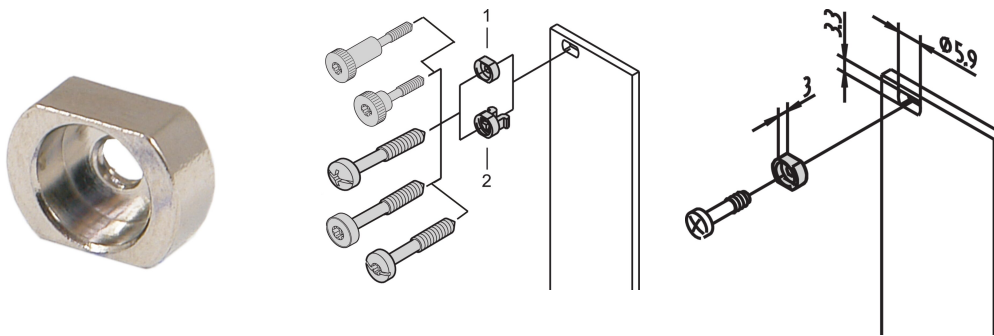


Sleeves for M2.5, Brass Nickel-Plated, 10 pcs

CATALOG NUMBER

21100-659



Sleeve guides the collar screw when fastening the front panel.

CERTIFICATIONS



FEATURES

Sleeve guides the collar screw when fastening the front panel

Sleeve is inserted into the elongated hole of the front panel

PRODUCT ATTRIBUTES

Material: Brass

Finish: Nickel Plated

Package Quantity: 10

Product Type: Sleeve

Works With: Front Panels

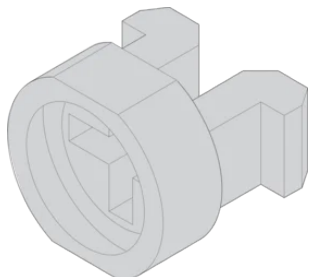
Gross Weight: 0.008kg

ADDITIONAL PRODUCT DETAILS

Metal sleeves on the partial front panels must be pressed in.

All sleeves can be used for front panel > 2 HP.

DIAGRAMS



WARNING

nVent products shall be installed and used only as indicated in nVent's product instruction sheets and training materials. Instruction sheets are available at www.nvent.com and from your nVent customer service representative. Improper installation, misuse, misapplication or other failure to completely follow nVent's instructions and warnings may cause product malfunction, property damage, serious bodily injury and death and/or void your warranty.

North America

All locations
+1.763.422.2661
Chat with us:
nvent.com/schroff

Europe

Straubenhardt, Germany
+49.7082.794.0
Betschdorf, France
+33.3.88.90.64.90
Warsaw, Poland
+48.22.209.98.35
Assago, Italy
+39.02.932.7141
Chat with us:
nvent.com/schroff

Asia

Shanghai, China
+86.21.2412.6943
Qingdao, China
+86.532.8771.6101
Singapore
+65.6768.5800
Shin-Yokohama, Japan
+81.45.476.0271
Chat with us:
nvent.com/schroff

Middle East & India

Dubai, United Arab Emirates
+971.4.378.1700
Bangalore, India
+91.80.6715.2001
Istanbul, Turkey
+90.216.250.7374
Chat with us:
nvent.com/schroff



Our powerful portfolio of brands:

CADDY ERICO HOFFMAN ILSCO SCHROFF TRACHTE