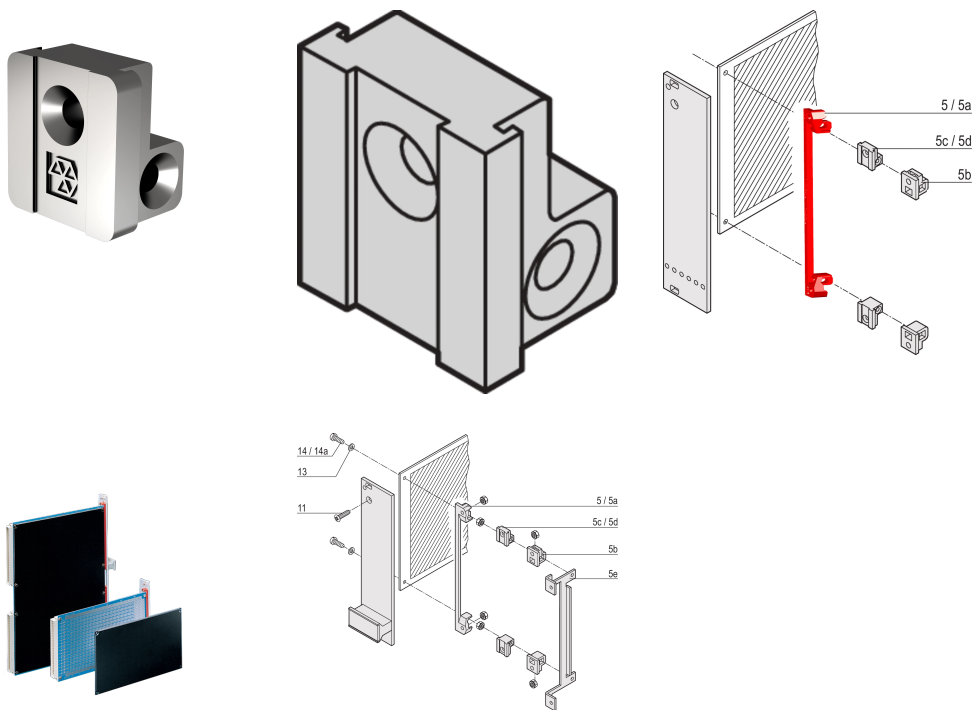


PCB Bracket for Fixing Front Panel/PCB, Die-Cast Zinc

CATALOG NUMBER

60807-181



The PCB support brackets enable the fixing of a PCB to front panel. Available in different materials.

CERTIFICATIONS



FEATURES

For fixing PCB to front panel

PRODUCT ATTRIBUTES

Material: Zinc Alloy

Package Quantity: 1

Depth: 8.6mm

Height: 11.1mm

Product Type: Bracket

Type: PCB Bracket

Width: 10.2mm

Works With: Front Panels

Thread Size: M2.5

Thread Type: Metric

ADDITIONAL PRODUCT DETAILS

Delivery is in standard pack multiples. Pricing is per individual item.

WARNING

nVent products shall be installed and used only as indicated in nVent's product instruction sheets and training materials. Instruction sheets are available at www.nvent.com and from your nVent customer service representative. Improper installation, misuse, misapplication or other failure to completely follow nVent's instructions and warnings may cause product malfunction, property damage, serious bodily injury and death and/or void your warranty.

North America

All locations
+1.763.422.2661
Chat with us:
nvent.com/schroff

Europe

Straubenhardt, Germany
+49.7082.794.0
Betschdorf, France
+33.3.88.90.64.90
Warsaw, Poland
+48.22.209.98.35
Assago, Italy
+39.02.932.7141
Chat with us:
nvent.com/schroff

Asia

Shanghai, China
+86.21.2412.6943
Qingdao, China
+86.532.8771.6101
Singapore
+65.6768.5800
Shin-Yokohama, Japan
+81.45.476.0271
Chat with us:
nvent.com/schroff

Middle East & India

Dubai, United Arab Emirates
+971.4.378.1700
Bangalore, India
+91.80.6715.2001
Istanbul, Turkey
+90.216.250.7374
Chat with us:
nvent.com/schroff



Our powerful portfolio of brands:

CADDY ERICO HOFFMAN ILSCO SCHROFF TRACHTE