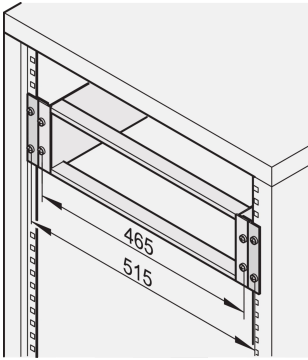


Etsirack 19" to 21" Adapter Kit



The 19" adaptor allows 19" components to be installed in the metric Etsirack.

CERTIFICATIONS



FEATURES

Equal clearances are obtained above and below between the 19" adaptor and the metric height increments

The 19" adaptor allows 19" components to be installed in the metric Etsirack

SPECIFICATIONS

- Product Type:** Adapter
- Material:** Aluminum
- Finish:** Chrome
- Type:** Etsirack
- Product Family:** EuropacPRO
- Works With:** Subracks

Table 1/1

Catalog Number	Rack Height	Package Quantity
20838-084	3U	2
20838-086	6U	2

ADDITIONAL PRODUCT DETAILS

Assembly dimensions and clearances see drawing.

WARNING

nVent products shall be installed and used only as indicated in nVent's product instruction sheets and training materials. Instruction sheets are available at www.nvent.com and from your nVent customer service representative. Improper installation, misuse, misapplication or other failure to completely follow nVent's instructions and warnings may cause product malfunction, property damage, serious bodily injury and death and/or void your warranty.

North America

All locations
+1.763.422.2661
Chat with us:
nvent.com/schroff

Europe

Straubenhardt, Germany
+49.7082.794.0
Betschdorf, France
+33.3.88.90.64.90
Warsaw, Poland
+48.22.209.98.35
Assago, Italy
+39.02.932.7141
Chat with us:
nvent.com/schroff

Asia

Shanghai, China
+86.21.2412.6943
Qingdao, China
+86.532.8771.6101
Singapore
+65.6768.5800
Shin-Yokohama, Japan
+81.45.476.0271
Chat with us:
nvent.com/schroff

Middle East & India

Dubai, United Arab
Emirates
+971.4.378.1700
Bangalore, India
+91.80.6715.2001
Istanbul, Turkey
+90.216.250.7374
Chat with us:
nvent.com/schroff



Our powerful portfolio of brands:

CADDY ERICO HOFFMAN ILSCO SCHROFF TRACHTE