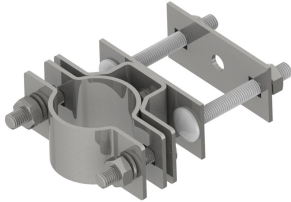


# ISONV Square Railing Mast Bracket



## FEATURES

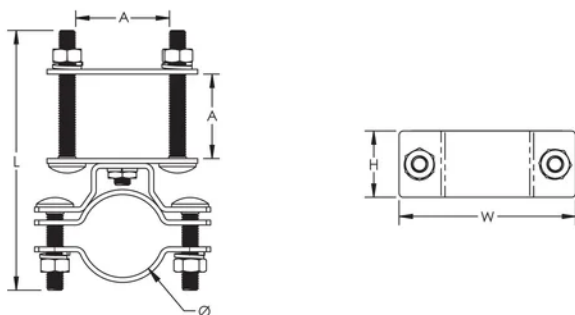
Secures masts to square railing

## SPECIFICATIONS

Table 1/1

Catalog Number	Material	Diameter (Ø)	Length (L)	Width (W)	Height (H)	A
ISONVBKT50X50	Stainless Steel 304 (EN 1.4301)	40 - 50 mm	156mm	106 mm	40 mm	50 mm Max

## DIAGRAMS



## WARNING

nVent products shall be installed and used only as indicated in nVent's product instruction sheets and training materials. Instruction sheets are available at [www.nvent.com](http://www.nvent.com) and from your nVent customer service representative. Improper installation, misuse, misapplication or other failure to completely follow nVent's instructions and warnings may cause

product malfunction, property damage, serious bodily injury and death and/or void your warranty.

**North America**

+1.800.753.9221

Option 1 – Customer Care

Option 2 – Technical

Support

**Europe**

Netherlands:

+31 800-0200135

France:

+33 800 901 793

**Europe**

Germany:

800 1890272

Other Countries:

+31 13 5835404

**APAC**

Shanghai:

+ 86 21 2412 1618/19

Sydney:

+61 2 9751 8500



Our powerful portfolio of brands:

**CADDY**

**ERICO**

**HOFFMAN**

**ILSCO**

**SCHROFF**

**TRACHTE**