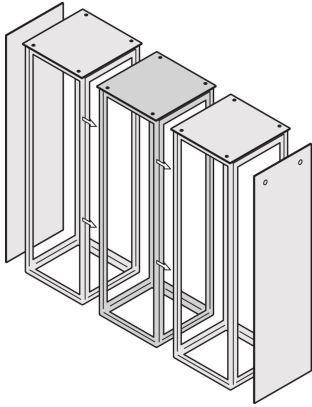


# Side-by-Side Mounting Kit for Varistar CP



## CERTIFICATIONS



## FEATURES

Side-by-side mounting kit

## SPECIFICATIONS

**Product Type:** Mounting Kit

Table 1/2

Catalog Number	Protection Rating	Package Quantity	Color	Color Code	Material	Type
23130-061	IP20	1	Black Grey	RAL 7021	Steel	Side-by-Side
24630-123	IP20	1	Black		Polyethylene	Side-by-Side
24630-122	IP20	1	Black Grey	RAL 7021	Steel	Side-by-Side

Table 2/2

Catalog Number	Works With	Certifications
23130-061	Varistar CP, Cabinet	RoHS

Catalog Number	Works With	Certifications
24630-123	Varistar CP	
24630-122	Varistar CP	

## WARNING

nVent products shall be installed and used only as indicated in nVent's product instruction sheets and training materials. Instruction sheets are available at [www.nvent.com](http://www.nvent.com) and from your nVent customer service representative. Improper installation, misuse, misapplication or other failure to completely follow nVent's instructions and warnings may cause product malfunction, property damage, serious bodily injury and death and/or void your warranty.

### North America

All locations  
+1.763.422.2661  
Chat with us:  
[nvent.com/schroff](http://nvent.com/schroff)

### Europe

Straubenhardt, Germany  
+49.7082.794.0  
Betschdorf, France  
+33.3.88.90.64.90  
Warsaw, Poland  
+48.22.209.98.35  
Assago, Italy  
+39.02.932.7141  
Chat with us:  
[nvent.com/schroff](http://nvent.com/schroff)

### Asia

Shanghai, China  
+86.21.2412.6943  
Qingdao, China  
+86.532.8771.6101  
Singapore  
+65.6768.5800  
Shin-Yokohama, Japan  
+81.45.476.0271  
Chat with us:  
[nvent.com/schroff](http://nvent.com/schroff)

### Middle East & India

Dubai, United Arab Emirates  
+971.4.378.1700  
Bangalore, India  
+91.80.6715.2001  
Istanbul, Turkey  
+90.216.250.7374  
Chat with us:  
[nvent.com/schroff](http://nvent.com/schroff)



Our powerful portfolio of brands:

**CADDY ERICO HOFFMAN ILSCO SCHROFF TRACHTE**