

nVent CADDY Cat HP J-Hook, PG, Painted, Green, 75 mm dia

Data Solutions

CATALOG NUMBER

CAT48HPGR



The Improved nVent CADDY Cat HP J-Hook with BC26 Beam Clamp is an innovative assembly featuring a combination of the Improved nVent CADDY Cat HP J-Hook with a BC26 Beam Clamp attachment. This solution attaches easily to beam flanges, dramatically reducing installation time and improving productivity.

Engineered for high-performance data cable management, this system supports Cat 5e, Cat 6, Cat 6A, Cat 7, and fiber optic cables with superior fill capacity and load ratings compared to most non-continuous alternatives. The Assemblies' rounded edges ensure proper bend radius support, protecting cable integrity and optimizing performance.

CERTIFICATIONS



FEATURES

One through-hole for easier installation of threaded rod

Versa-Mount Technology: Innovative attachment design provides multiple structural and installation methods for wall, ceiling, and threaded rod mounting applications

Improved design allows for optimized inventory, reducing job site scheduling risks associated with multiple SKUs

Provides optimal support for high-performance data cable—including category cable, Power over Ethernet (PoE), and fiber optic

Complies with EN 50174-2

Meets ISO®/IEC 14763-2, ANSI®/TIA 568 and ANSI®/TIA 569

PRODUCT ATTRIBUTES

Article Number: 181126

Material: Steel

Finish: Pregalvanized, Painted; Painted

Color: Green

Diameter (Ø): 75mm

Area: 5974mm²

Cable Capacity, Cat 5e: 200

Cable Capacity, Cat 6: 150

Cable Capacity, Cat 6A: 80

Height (H): 164.6mm

Static Load: 267N

ADDITIONAL PRODUCT DETAILS

Non-continuous supports may not exceed spacing of 5' (1.5 m) per TIA 569-C.9.7 and EN 50174-2.

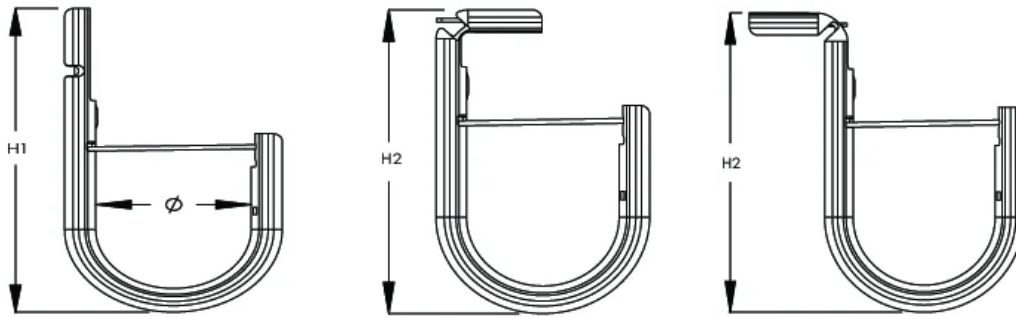
Cable capacity is calculated based on a 70% fill rate.

Fire Rated Power Cable Capacity (Distance between J-hooks must not exceed 500 mm center to center)

| Part Number | | CAT16HP | | CAT32HP CAT48HP | | CAT64HP | | CAT64HP | |
|--------------------------------------|-----------------------------------|------------------|----------------|------------------|----------------|------------------|-------------|----------------|-------------|
| Configuration | | Single Layer | | Single Layer | | Single Layer | | Double Layer | |
| Max Load per Support [kg/m] | | 0.8 kg/m | | 1.4 kg/m | | 2.6 kg/m | | 2 kg/m | |
| Cable | Linear Weight of the Cable [kg/m] | Number of Cables | Classification | Number of Cables | Classification | Number of Cables | | Classification | |
| 4x1,5 (N)HXH FE180 E30- E60 | 0.234 | 3 | E30 | 5 | E30 E60 | 11 | E30 E60 | 8 | E30 E60 |
| 5x1,5 (N)HXH FE180 E30-E60 | 0.277 | 2 | | 5 | | 9 | | 7 | |
| 7x1,5 (N)HXH FE180 E30-E60 | 0.330 | 2 | | 4 | | 7 | | 6 | |
| 12x1,5 (N)HXH FE180 E30-E60 | 0.513 | 1 | | 2 | E30 | 5 | E30 | 3 | E30 |
| 19x1,5 (N)HXH FE180 E30-E60 | 0.715 | 1 | | 1 | | 3 | | 2 | |
| 24x1,5 (N)HXH FE180 E30-E60 | 0.901 | - | | 1 | | 2 | | 2 | |
| 30x1,5 (N)HXH FE180 E30-E60 | 1.052 | - | | 1 | 2 | 2 | 1 | | |
| 2x2,5 (N)HXH FE180 E30-E60 | 0.178 | 4 | E30 | - | | - | | - | |
| 3x2,5 (N)HXH FE180 E30-E60 | 0.250 | 3 | | - | | - | | - | |
| 4x2,5 (N)HXH FE180 E30-E60 | 0.296 | 2 | | - | | - | | - | |
| 5x2,5 (N)HXH FE180 E30-E60 | 0.352 | 2 | | - | | - | | - | |
| 4x1,5 (N)HXH FE180 E90 | 0.234 | 3 | | E30 E60 E90 | 5 | | 11 | | 8 |
| 5x1,5 (N)HXH FE180 E90 | 0.277 | 2 | 5 | | E30 E60 E90 | 9 | E30 E60 E90 | 7 | E30 E60 E90 |
| 7x1,5 (N)HXH FE180 E90 | 0.330 | 2 | 4 | | | 7 | | 6 | |

| | | | | | | |
|---|---|---------------|--------------|---------------|---|---|
| 12x1,5 (N)HXH FE180.511 E90 | | 1 | 2 | 5 | 3 | |
| 24x1,5 (N)HXH FE180.901 E90 | | - | | 1 | 2 | 2 |
| 2x2x0,8 JE- H(St)H...Bd FE180 E30- E90 | 0.060 | 13 | E30 | - | - | - |
| 4x2x0,8 JE- H(St)H...Bd FE180 E30- E90 | 0.102 | 7 | | - | - | - |
| 8x2x0,8 JE- H(St)H...Bd FE180 E30- E90 | 0.221 | 3 | | - | - | - |
| 12x2x0,8 JE- H(St)H...Bd FE180 E30- E90 | 0.281 | 2 | | - | - | - |
| 16x2x0,8 JE- H(St)H...Bd FE180 E30- E90 | 0.326 | 2 | | - | - | - |
| 20x2x0,8 JE- H(St)H...Bd FE180 E30- E90 | 0.421 | 1 | | - | - | - |
| 32x2x0,8 JE- H(St)H...Bd FE180 E30- E90 | 0.588 | 1 | | - | - | - |
| 40x2x0,8 JE- H(St)H...Bd FE180 E30- E90 | 0.761 | 1 | | - | - | - |
| Fire rating applicable when linking specified J-hook to the following components | Fire rating applicable to the following riveted assemblies | | | | | |
| Part number | Part number | | | | | |
| CATHPAN | CAT16HPAB | CAT32HPAB | CAT48HPAB | CAT64HPAB | | |
| CATHPA4 | CAT16HPBCB | CAT32HPAFAB3 | CAT48HPAFAB3 | CAT64HPAFAB3 | | |
| CATHPA6 | CAT16HPBC200B | CAT32HPAFAB3 | CAT48HPAFAB3 | CAT64HPAFAB4 | | |
| CATHPTM | CAT16HP24SM | CAT32HPAFAB3 | CAT48HPBCB | CAT64HPBCB | | |
| CATHPBCB | CAT16HP58SM | CAT32HPBCB | CAT48HP58SM | CAT64HPBC200B | | |
| CATHPBC200B | CAT16HP912SM | CAT32HPBC200B | CAT48HP912SM | CAT64HP58SM | | |
| CATHP912SM | CAT16HP24 | CAT32HP24SM | CAT48HP24 | CAT64HP912SM | | |
| CATHP24 | CAT16HP58 | CAT32HP912SM | CAT48HP58 | CAT64HP24 | | |
| CATHP58 | - | CAT32HP24 | - | - | | |
| CATHP912 | - | - | - | - | | |

DIAGRAMS



WARNING

nVent products shall be installed and used only as indicated in nVent's product instruction sheets and training materials. Instruction sheets are available at www.nvent.com and from your nVent customer service representative. Improper installation, misuse, misapplication or other failure to completely follow nVent's instructions and warnings may cause product malfunction, property damage, serious bodily injury and death and/or void your warranty.



Our powerful portfolio of brands:

CADDY ERICO HOFFMAN ILSCO SCHROFF TRACHTE