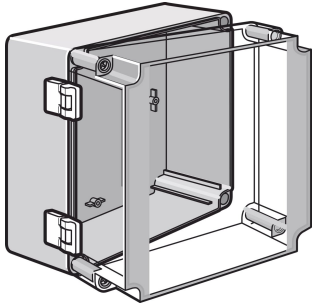


QLine D Hinge Kit



Hinge Kit includes two polyamide hinges, eight M4 self-tapping, plated screws, eight flat washers and drilling templates. Use on all QLine D enclosures; meets Type 4 requirements. Use on QLine E enclosures; kit is not guaranteed to meet Type 4 requirements, and should be reviewed by customer.

FEATURES

Use on all QLine D enclosures; meets Type 4 requirements

Also for use on QLine E enclosures, but not guaranteed to meet Type 4 requirements

Kit includes two polyamide hinges, eight M4 self-tapping, plated screws, eight flat washers and drilling templates

SPECIFICATIONS

Table 1/1

Catalog Number	Article Number	Height	Width	Depth	Product Family	Material
QDEHK	14839	28mm	26mm	10mm	QLine	Polyamide

WARNING

nVent products shall be installed and used only as indicated in nVent's product instruction sheets and training materials. Instruction sheets are available at www.nvent.com and from your nVent customer service representative. Improper installation, misuse, misapplication or other failure to completely follow nVent's instructions and warnings may cause product malfunction, property damage, serious bodily injury and death and/or void your warranty.



Our powerful portfolio of brands:

CADDY ERICO HOFFMAN ILSCO SCHROFF TRACHTE