

Bolt Close Conduit/Pipe Clamp



CERTIFICATIONS



FEATURES

Retained bolt and built-in nut means there are less parts to handle or drop

Combo head bolt works with slotted, hex, #3 phillips or #2 robertson drivers

SPECIFICATIONS

Table 1/2

| Catalog Number | Material | Finish | Nut Type | Outer Diameter (OD) | Hole Size (HS) | Static Load 1 (F1) |
|----------------|------------------------------------|--------|----------|---------------------|----------------|--------------------|
| CD2.5BSS | Stainless Steel 304 (EN 1.4301) | | Hex Nut | 31 - 38 mm | 6.75 mm | 880N |
| CD2BSS | Stainless Steel 304 (EN 1.4301) | | Hex Nut | 25 - 33 mm | 6.75 mm | 880N |
| CD3BSS | Stainless Steel 304 (EN 1.4301) | | Hex Nut | 36 - 43 mm | 6.75 mm | 880N |

| Catalog Number | Material | Finish | Nut Type | Outer Diameter (OD) | Hole Size (HS) | Static Load 1 (F1) |
|----------------|---------------------------------|-------------------|--------------|---------------------|----------------|--------------------|
| CD5B | Steel | Electrogalvanized | Built-In Nut | 49 - 73 mm | 7.14 mm | 880N |
| CD4BSS | Stainless Steel 304 (EN 1.4301) | | Hex Nut | 45 - 48 mm | 7.14 mm | 880N |
| CD2.5B | Steel | Electrogalvanized | Built-In Nut | 31 - 38 mm | 7.14 mm | 880N |
| CD1BSS | Stainless Steel 304 (EN 1.4301) | | Hex Nut | 19 - 25 mm | 7.14 mm | 880N |
| CD2B | Steel | Electrogalvanized | Built-In Nut | 25 - 33 mm | 7.14 mm | 880N |
| CD1B | Steel | Electrogalvanized | Built-In Nut | 19 - 25 mm | 7.14 mm | 880N |
| CD3B | Steel | Electrogalvanized | Built-In Nut | 36 - 43 mm | 7.14 mm | 880N |
| CD5BSS | Stainless Steel 304 (EN 1.4301) | | Hex Nut | 49 - 73 mm | 7.14 mm | 1550N |
| CD0BSS | Stainless Steel 304 (EN 1.4301) | | Hex Nut | 17 - 22 mm | 7.14 mm | 880N |
| CD0B | Steel | Electrogalvanized | Built-In Nut | 17 - 22 mm | 7.14 mm | 880N |
| CD4B | Steel | Electrogalvanized | Built-In Nut | 45 - 48 mm | 7.14 mm | 880N |
| CD9B | Steel | Electrogalvanized | Hex Nut | 108 - 115 mm | 7.9 mm | 1550N |
| CD6B | Steel | Electrogalvanized | Hex Nut | 66 - 76 mm | 7.9 mm | 1550N |
| CD7B | Steel | Electrogalvanized | Hex Nut | 80 - 90 mm | 7.9 mm | 1550N |
| CD8B | Steel | Electrogalvanized | Hex Nut | 95 - 105 mm | 7.9 mm | 1550N |
| CD6BSS | Stainless Steel 304 (EN 1.4301) | | Hex Nut | 66 - 76 mm | 8.33 mm | 1550N |
| CD9BSS | Stainless Steel 304 (EN 1.4301) | | Hex Nut | 108 - 115 mm | 8.33 mm | 1550N |

Table 2/2

| Catalog Number | Material | Finish | Nut Type | Outer Diameter (OD) | Hole Size (HS) | Static Load 1 (F1) |
|----------------|---------------------------------|-------------------|--------------|---------------------|----------------|--------------------|
| CD7BSS | Stainless Steel 304 (EN 1.4301) | | Hex Nut | 80 - 90 mm | 8.33 mm | 1550N |
| CD0B37 | Steel | Electrogalvanized | Built-In Nut | 17 - 22 mm | 10.32 mm | 880N |
| CD5B37 | Steel | Electrogalvanized | Built-In Nut | 49 - 73 mm | 10.32 mm | 880N |
| CD2.5B37 | Steel | Electrogalvanized | Built-In Nut | 31 - 38 mm | 10.32 mm | 880N |
| CD2B37 | Steel | Electrogalvanized | Built-In Nut | 25 - 33 mm | 10.32 mm | 880N |
| CD1B37 | Steel | Electrogalvanized | Built-In Nut | 19 - 25 mm | 10.32 mm | 880N |
| CD4B37 | Steel | Electrogalvanized | Built-In Nut | 45 - 48 mm | 10.32 mm | 880N |
| CD3B37 | Steel | Electrogalvanized | Built-In Nut | 36 - 43 mm | 10.32 mm | 880N |

Table 1/2

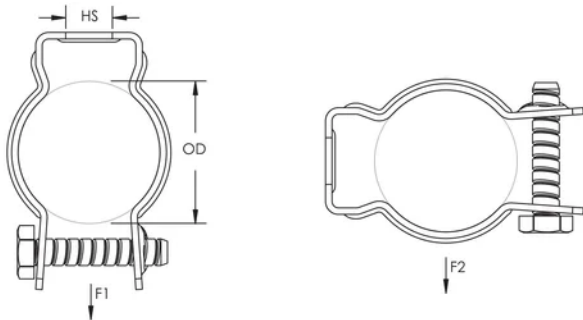
| Catalog Number | Static Load 2 (F2) | Certifications |
|----------------|--------------------|----------------|
| CD2.5BSS | 220N | UL, cUL |
| CD2BSS | 220N | |
| CD3BSS | 220N | UL, cUL |
| CD5B | 220N | ITB, cUL, UL |
| CD4BSS | 220N | cUL, UL |
| CD2.5B | 220N | UL, cUL |
| CD1BSS | 220N | UL, cUL |
| CD2B | 220N | cUL, UL |
| CD1B | 220N | ITB, cUL, UL |
| CD3B | 220N | ITB, cUL, UL |
| CD5BSS | 220N | UL, cUL |
| CD0BSS | 220N | UL, cUL |
| CD0B | 220N | UL, cUL |
| CD4B | 220N | cUL, ITB, UL |
| CD9B | 220N | |
| CD6B | 220N | |

| Catalog Number | Static Load 2 (F2) | Certifications |
|----------------|--------------------|----------------|
| CD7B | 220N | |
| CD8B | 220N | |
| CD6BSS | 220N | |
| CD9BSS | 220N | |

Table 2/2

| Catalog Number | Static Load 2 (F2) | Certifications |
|----------------|--------------------|----------------|
| CD7BSS | 220N | |
| CD0B37 | 220N | |
| CD5B37 | 220N | |
| CD2.5B37 | 220N | |
| CD2B37 | 220N | |
| CD1B37 | 220N | |
| CD4B37 | 220N | |
| CD3B37 | 220N | |

DIAGRAMS



WARNING

nVent products shall be installed and used only as indicated in nVent's product instruction sheets and training materials. Instruction sheets are available at www.nvent.com and from your nVent customer service representative. Improper installation, misuse, misapplication or other failure to completely follow nVent's instructions and warnings may cause product malfunction, property damage, serious bodily injury and death and/or void your warranty.

North America

+1.800.753.9221

Option 1 – Customer Care

Option 2 – Technical

Support

Europe

Netherlands:

+31 800-0200135

France:

+33 800 901 793

Europe

Germany:

800 1890272

Other Countries:

+31 13 5835404

APAC

Shanghai:

+ 86 21 2412 1618/19

Sydney:

+61 2 9751 8500



Our powerful portfolio of brands:

CADDY

ERICO

HOFFMAN

ILSCO

SCHROFF

TRACHTE

