

Multi-Function Clip



CERTIFICATIONS



FEATURES

Provides attachment of electrical boxes

Supports #10-24 and 1/4-20 (M6) threaded bridle rings

Instills more confidence installing conduit, MC/AC, and low voltage applications

SPECIFICATIONS

Finish: nVent CADDY Armour

Material: Spring Steel

Table 1/2

Catalog Number	Rod Size (RS)	Wire Size	Flange Thickness (FT)	Hole Size (HS)	Screw Included	Static Load 1 (F1)
4Z4S	4, 6, 8, 10	3.9 - 4.8 mm	3.0 - 9.5 mm		Yes	110N
4Z34	M4, M6, M8, M10	3.9 - 4.8 mm	3.0 - 9.5 mm	6.5 mm	No	110N
8Z34	14, 18	1 mm Min		6.4 mm	No	
8Z4S	14, 18	1 mm Min			Yes	

Table 2/2

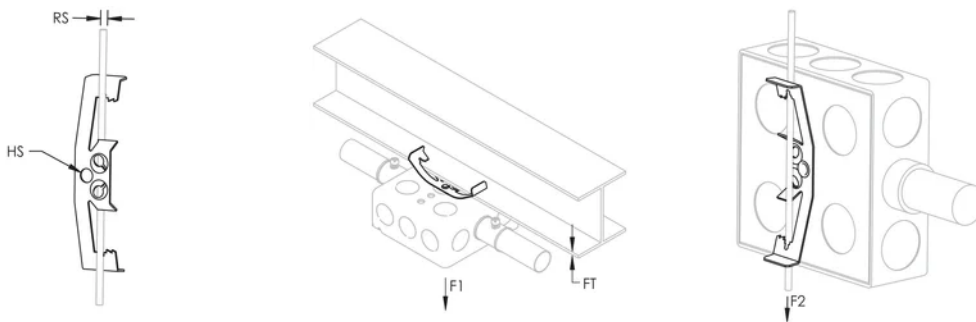
Catalog Number	Static Load 2 (F2)	Certifications
4Z4S	90N	cUL, UL
4Z34	90N	ITB, UL, cUL
8Z34	220N	cUL, UL
8Z4S	220N	cUL, UL

ADDITIONAL PRODUCT DETAILS

NEC® 300.11 requires dedicated drop wire/rod and EC311.

4Z parts installed on 3/8" (M10) smooth rod in the F2 direction has a Static Load Rating of 15 lb (67 N).

DIAGRAMS



WARNING

nVent products shall be installed and used only as indicated in nVent's product instruction sheets and training materials. Instruction sheets are available at www.nvent.com and from your nVent customer service representative. Improper installation, misuse, misapplication or other failure to completely follow nVent's instructions and warnings may cause product malfunction, property damage, serious bodily injury and death and/or void your warranty.

North America

+1.800.753.9221
 Option 1 – Customer Care
 Option 2 – Technical
 Support

Europe

Netherlands:
 +31 800-0200135
 France:
 +33 800 901 793

Europe

Germany:
 800 1890272
 Other Countries:
 +31 13 5835404

APAC

Shanghai:
 + 86 21 2412 1618/19
 Sydney:
 +61 2 9751 8500



Our powerful portfolio of brands:

CADDY ERICO HOFFMAN ILSCO SCHROFF TRACHTE

