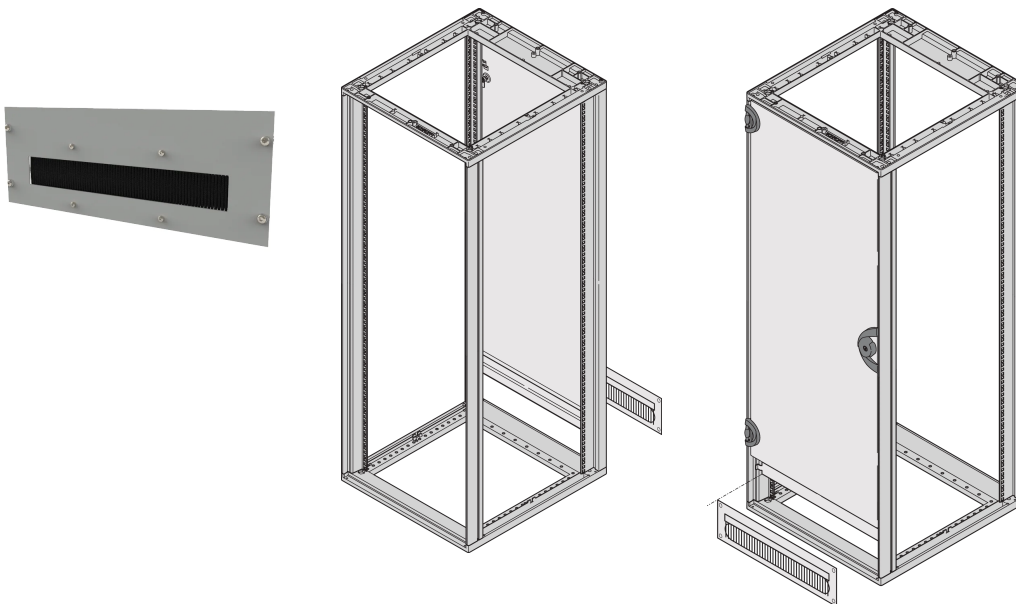


# Novastar, Cable Ducting, 4 U, RAL 7035

## Data Solutions

### CATALOG NUMBER

**20118-390**



Cover the opening on shortened doors or rear panels for a more aesthetic look.

### CERTIFICATIONS



### FEATURES

To cover the opening on shortened doors or rear panels

Frame, St, 2.5 mm

With black brush strip

## PRODUCT ATTRIBUTES

---

Rack Height: 4U

Color: Light Grey

Design Feature: Panel & Brushes

Package Quantity: 1

Color Code: RAL 7035

Finish: Powder Coated

Material: Steel

Product Family: Eurorack; Novastar

Product Type: Cover

Type: Cable Duct

Gross Weight: 1.72kg

## WARNING

---

nVent products shall be installed and used only as indicated in nVent's product instruction sheets and training materials. Instruction sheets are available at [www.nvent.com](http://www.nvent.com) and from your nVent customer service representative. Improper installation, misuse, misapplication or other failure to completely follow nVent's instructions and warnings may cause product malfunction, property damage, serious bodily injury and death and/or void your warranty.



Our powerful portfolio of brands:

**CADDY ERICO HOFFMAN ILSCO SCHROFF TRACHTE**