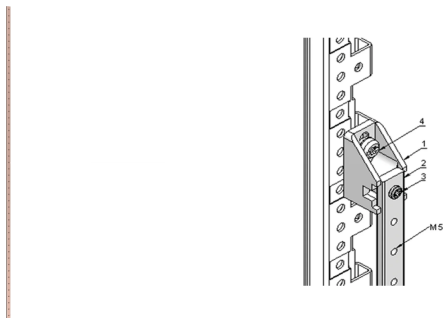


# Grounding/Grounding Busbar Kit for Ring Terminations, 980 mm

## Data Solutions

### CATALOG NUMBER

**20118-861**



Copper strip typically housed inside switchgear, panel boards, and busway enclosures for grounding. They are also used to connect high voltage equipment at electrical switchyards, and low voltage equipment in battery banks.

### FEATURES

To screw on grounding cables with ring tabs

Threaded fixing points M5 in intervals of 20 mm

Assembly insulated from the frame

Maximum current capacity 200 A

Connection 35 mm<sup>2</sup> with a clamp (accessory 21120-209)

### PRODUCT ATTRIBUTES

Length: 980mm

Material: Copper

Package Quantity: 1

Product Type: Grounding Kit

Type: Ring Termination

Net Weight: 0.74kg

## WARNING

---

nVent products shall be installed and used only as indicated in nVent's product instruction sheets and training materials. Instruction sheets are available at [www.nvent.com](http://www.nvent.com) and from your nVent customer service representative. Improper installation, misuse, misapplication or other failure to completely follow nVent's instructions and warnings may cause product malfunction, property damage, serious bodily injury and death and/or void your warranty.



Our powerful portfolio of brands:

**CADDY ERICO HOFFMAN ILSCO SCHROFF TRACHTE**