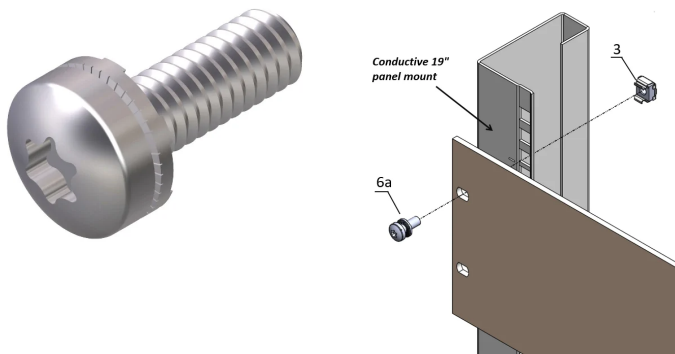


Screw With Captive Nomel Washer, M6 x 16, T30, 50 Pieces

Data Solutions

CATALOG NUMBER

21120-200



Accessory parts like screws, washer and nuts enable the mounting of 19" accessories.

FEATURES

Panhead screw

PRODUCT ATTRIBUTES

Diameter: 6mm

Length: 16mm

Package Quantity: 50

Thread Size: M6

Finish: Zinc Plated

Material: Steel

Product Type: Screw

Type: Torx

Works With: Front Panels; Eurorack; Novastar; Varistar; Varistar CP

Torque: 5N·m

Net Weight: 0.32kg

WARNING

nVent products shall be installed and used only as indicated in nVent's product instruction sheets and training materials. Instruction sheets are available at www.nvent.com and from your nVent customer service representative. Improper installation, misuse, misapplication or other failure to completely follow nVent's instructions and warnings may cause product malfunction, property damage, serious bodily injury and death and/or void your warranty.



Our powerful portfolio of brands:

CADDY ERICO HOFFMAN ILSCO SCHROFF TRACHTE