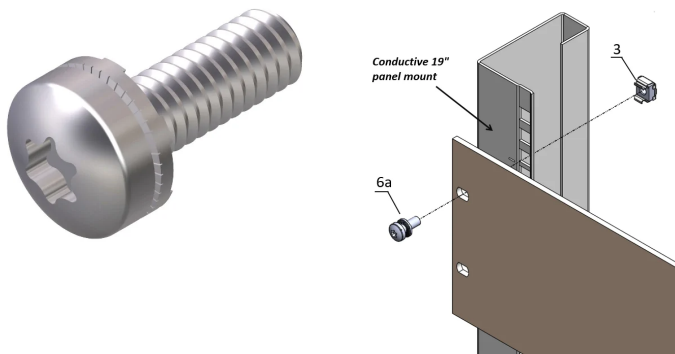


# Screw With Captive Nomel Washer, M6 x 16, T30, 100 Pieces

## Data Solutions

### CATALOG NUMBER

21120-201



Accessory parts like screws, washer and nuts enable the mounting of 19" accessories.

### FEATURES

Panhead screw

### PRODUCT ATTRIBUTES

Diameter: 6mm

Length: 16mm

Package Quantity: 100

Thread Size: M6

Finish: Zinc Plated

Material: Steel

Product Type: Screw

Type: Torx

Works With: Front Panels; Eurorack; Novastar; Varistar; Varistar CP; Chassis

Torque: 5N·m

Gross Weight: 0.66kg

## WARNING

---

nVent products shall be installed and used only as indicated in nVent's product instruction sheets and training materials. Instruction sheets are available at [www.nvent.com](http://www.nvent.com) and from your nVent customer service representative. Improper installation, misuse, misapplication or other failure to completely follow nVent's instructions and warnings may cause product malfunction, property damage, serious bodily injury and death and/or void your warranty.



Our powerful portfolio of brands:

**CADDY   ERICO   HOFFMAN   ILSCO   SCHROFF   TRACHTE**