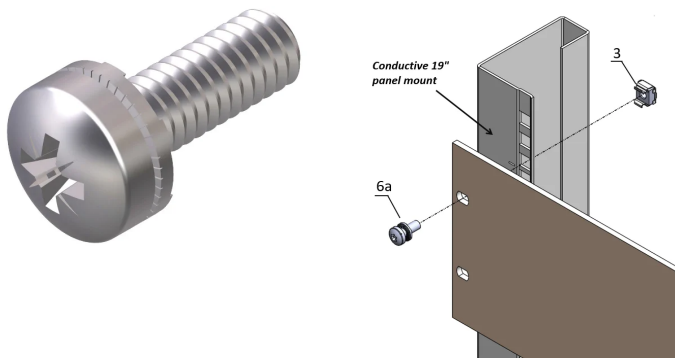


Screw With Captive Nomel Washer, Pozidriv, M6 x 16, Steel Zinc-plated, 100 Pieces

Data Solutions

CATALOG NUMBER

21120-203



Panhead Screw, Pozidrive.

FEATURES

Panhead screw, pozidrive

PRODUCT ATTRIBUTES

Diameter: 6mm

Length: 16mm

Finish: Zinc Plated

Package Quantity: 100

Thread Size: M6

Material: Steel

Product Type: Screw

Type: Panhead Screw

Works With: Front Panels; Eurorack; Novastar; Varistar; Varistar CP

Torque: 5N·m

Gross Weight: 0.656kg

WARNING

nVent products shall be installed and used only as indicated in nVent's product instruction sheets and training materials. Instruction sheets are available at www.nvent.com and from your nVent customer service representative. Improper installation, misuse, misapplication or other failure to completely follow nVent's instructions and warnings may cause product malfunction, property damage, serious bodily injury and death and/or void your warranty.



Our powerful portfolio of brands:

CADDY ERICO HOFFMAN ILSCO SCHROFF TRACHTE