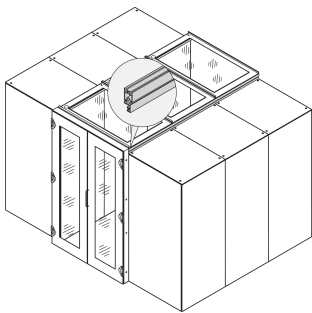


# Aisle Containment Height Extension Profile to Raise Top Cover

## Data Solutions

### CATALOG NUMBER

**21130-594**



Profile that allows the easy fixing of aisle top covers.  
Increases aisle height and fixing point for accessories.  
Covers up to 4 racks.

### CERTIFICATIONS



### FEATURES

Universal profile to raise top cover

The top cover elements can be raised by 84 mm using a profile

The profile has a T-groove on the inside that allows lamps, sensors, etc, to be mounted easily

Integration of cabinets with other heights

### PRODUCT ATTRIBUTES

Product Type: Adapter

Type: Aisle Top Cover Fixing

Works With: Aisle Containment

Length: 2400mm

Material: Aluminum

Color: Black Grey

Color Code: RAL 7021

Package Quantity: 1

Width: 2400mm

Finish: Powder Coated

Gross Weight: 12.48kg

## ADDITIONAL PRODUCT DETAILS

---

To mount a profile a mounting kit (2 pieces) is required; please order separately.

## WARNING

---

nVent products shall be installed and used only as indicated in nVent's product instruction sheets and training materials. Instruction sheets are available at [www.nvent.com](http://www.nvent.com) and from your nVent customer service representative. Improper installation, misuse, misapplication or other failure to completely follow nVent's instructions and warnings may cause product malfunction, property damage, serious bodily injury and death and/or void your warranty.



Our powerful portfolio of brands:

**CADDY ERICO HOFFMAN ILSCO SCHROFF TRACHTE**