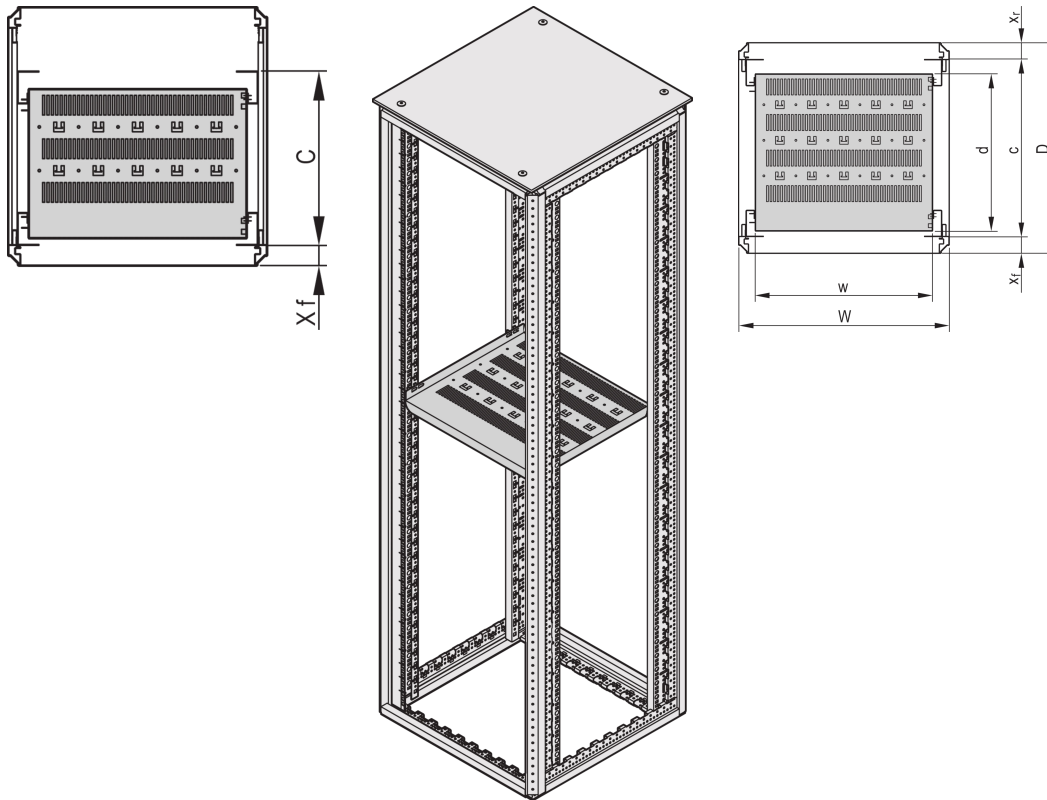


Varistar CP | 19" Shelf, Stationary, 75 kg, 600W 500D, RAL 7035

Data Solutions

CATALOG NUMBER

22130-302



Varistar 19" Shelf, Stationary, 75 kg.

CERTIFICATIONS



FEATURES

Static load-carrying capacity 75 kg

St, 1.5 mm

Incl. GND/grounding

Width 495 mm

For mounting on four 19" panel/slide mounts

PRODUCT ATTRIBUTES

Width: 495mm

Package Quantity: 1

Color: Light Grey

Color Code: RAL 7035

Finish: Powder Coated

Height: 400mm

Length: 342mm

Material: Steel

Product Family: Varistar CP

Product Type: Shelf

Type: Recessed Depth

Gross Weight: 2.51kg

WARNING

nVent products shall be installed and used only as indicated in nVent's product instruction sheets and training materials. Instruction sheets are available at www.nvent.com and from your nVent customer service representative. Improper installation, misuse, misapplication or other failure to completely follow nVent's instructions and warnings may cause product malfunction, property damage, serious bodily injury and death and/or void your warranty.



Our powerful portfolio of brands:

CADDY ERICO HOFFMAN ILSCO SCHROFF TRACHTE