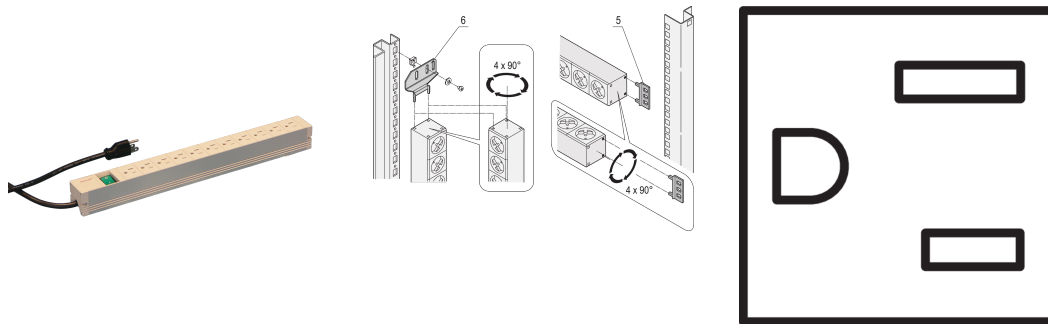


# Socket Strip, USA, 11 Sockets, 19", With switch

## Data Solutions

### CATALOG NUMBER

60110-242



Modular, compact PDU with many function elements. Using a 1 U by 1 U aluminum chassis the PDU can easily be integrated in a rack with US outlets.

### CERTIFICATIONS



### FEATURES

Horizontal or vertical mounting

Socket strips can be rotated through all four directions (in 90° increments) during installation

Connecting cable 2 m, with USA plug

Socket strips with USA sockets

Mounting height 1 U

115 V, 15 A

In accordance with UL-498

## PRODUCT ATTRIBUTES

---

Socket Type: USA

Socket Quantity: 11

Switched Outlets: Yes

Voltage AC: 115V

Package Quantity: 1

Color: Grey

Depth: 44mm

Finish: Anodized

Length: 438.5mm

Material: Aluminum; Polyamide

Product Type: Socket Strip

Net Weight: 0.98kg

## ADDITIONAL PRODUCT DETAILS

---

Please order bracket for vertical mounting separately.

## WARNING

---

nVent products shall be installed and used only as indicated in nVent's product instruction sheets and training materials. Instruction sheets are available at [www.nvent.com](http://www.nvent.com) and from your nVent customer service representative. Improper installation, misuse, misapplication or other failure to completely follow nVent's instructions and warnings may cause product malfunction, property damage, serious bodily injury and death and/or void your warranty.



Our powerful portfolio of brands:

**CADDY**

**ERICO**

**HOFFMAN**

**ILSCO**

**SCHROFF**

**TRACHTE**