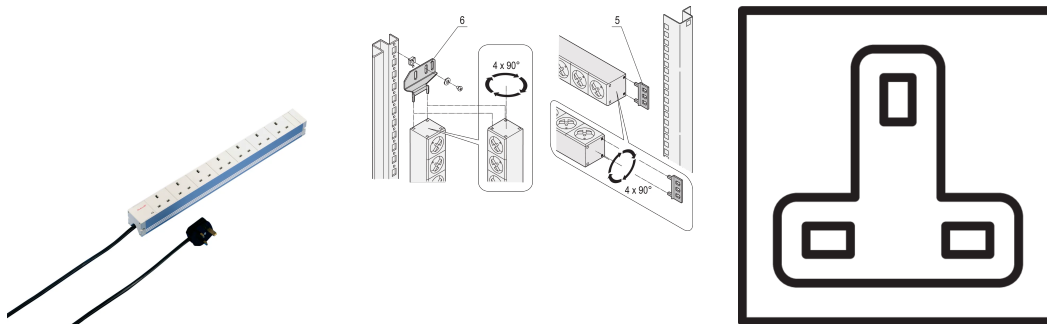


Socket Strip, BS, 6 Sockets, 19", With Switch

Data Solutions

CATALOG NUMBER

60110-245



Modular, compact PDU with many function elements. Using a 1 U by 1 U aluminum chassis the PDU can easily be integrated in a rack with BS outlets.

CERTIFICATIONS



FEATURES

Horizontal or vertical mounting

Socket strips can be rotated through all four directions (in 90° increments) during installation

In accordance with BS 1363

Installation height 1 U

230 V, 13 A

Supply cable 2 m with BS plug (fuse integrated)

Socket strips with British Standard sockets

PRODUCT ATTRIBUTES

Socket Type: BS

Socket Quantity: 6

Switched Outlets: Yes

Voltage AC: 230V

Package Quantity: 1

Color: Grey

Depth: 44mm

Finish: Anodized

Length: 438.5mm

Material: Aluminum; Polyamide

Product Type: Socket Strip

Gross Weight: 0.893kg

ADDITIONAL PRODUCT DETAILS

Please order bracket for vertical mounting separately.

WARNING

nVent products shall be installed and used only as indicated in nVent's product instruction sheets and training materials. Instruction sheets are available at www.nvent.com and from your nVent customer service representative. Improper installation, misuse, misapplication or other failure to completely follow nVent's instructions and warnings may cause product malfunction, property damage, serious bodily injury and death and/or void your warranty.



Our powerful portfolio of brands:

CADDY ERICO HOFFMAN ILSCO SCHROFF TRACHTE