

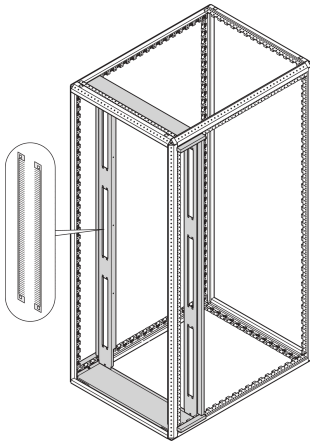
# Varistar CP | Aisle Containment Brush Strip for 2 U 19" Cutouts

## Data Solutions

### CATALOG NUMBER

---

**60130-850**



Brush strip to close 2 U by 19" cutouts for air management blanking panels. Square hole mounting with cage nuts.

### CERTIFICATIONS

---



### FEATURES

---

Brush strip to close cutouts

For 2 U air management blanking panels

### PRODUCT ATTRIBUTES

---

Product Type: Brush Strip

Product Family: Varistar CP

Works With: Aisle Containment; Varistar CP

Material: PVC; Polyamide

Color: Black

Rack Height: 2U

Height: 90mm

Width: 450mm

Net Weight: 0.35kg

Package Quantity: 1

## WARNING

---

nVent products shall be installed and used only as indicated in nVent's product instruction sheets and training materials. Instruction sheets are available at [www.nvent.com](http://www.nvent.com) and from your nVent customer service representative. Improper installation, misuse, misapplication or other failure to completely follow nVent's instructions and warnings may cause product malfunction, property damage, serious bodily injury and death and/or void your warranty.



Our powerful portfolio of brands:

**CADDY ERICO HOFFMAN ILSCO SCHROFF TRACHTE**