

# Galvanized Mast



## FEATURES

Can be mounted directly to concrete pads or on built-up roof surfaces when used with Through Roof Mast Base

## SPECIFICATIONS

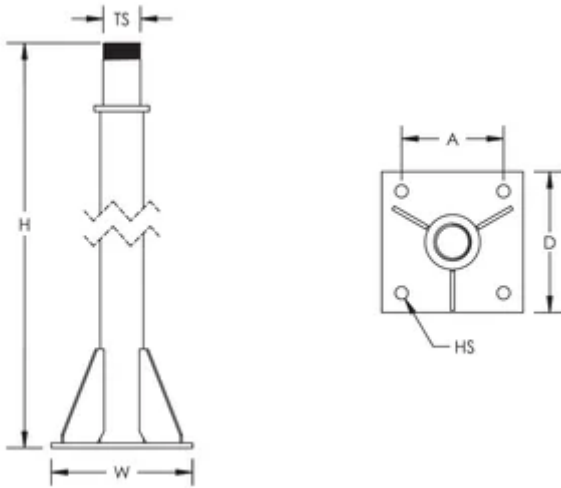
Table 1/2

Catalog Number	Material	Finish	Thread Size (TS)	Depth (D)	Height (H)	Width (W)
EGFP2K	Steel	Hot-Dip Galvanized	2" NPT	228.6mm	5.51 mm	228.6 mm

Table 2/2

Catalog Number	Hole Size (HS)	A	Unit Weight
EGFP2K	20.64 mm	165.1 mm	58.55 kg

## DIAGRAMS



## WARNING

nVent products shall be installed and used only as indicated in nVent's product instruction sheets and training materials. Instruction sheets are available at [www.nvent.com](http://www.nvent.com) and from your nVent customer service representative. Improper installation, misuse, misapplication or other failure to completely follow nVent's instructions and warnings may cause product malfunction, property damage, serious bodily injury and death and/or void your warranty.

### North America

+1.800.753.9221  
Option 1 – Customer Care  
Option 2 – Technical  
Support

### Europe

Netherlands:  
+31 800-0200135  
France:  
+33 800 901 793

### Europe

Germany:  
800 1890272  
Other Countries:  
+31 13 5835404

### APAC

Shanghai:  
+ 86 21 2412 1618/19  
Sydney:  
+61 2 9751 8500



Our powerful portfolio of brands:

**CADDY ERICO HOFFMAN ILSCO SCHROFF TRACHTE**