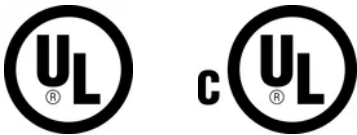


Industrial Stack Base, Horizontal Cable Run



CERTIFICATIONS



FEATURES

Cast air terminal base for use with horizontal conductor runs

Industrial stack installations require additional support from industrial stack terminal holders

SPECIFICATIONS

Material: Copper

Table 1/2

Catalog Number	Finish	Thread Size (TS)	Depth (D)	Height (H)	Width (W)	Unit Weight
LPC431	Bare	5/8" UNC	25.4mm	100 mm	76.2 mm	0.53 kg
LPLC431	Lead Covered	5/8" UNC	25.4mm	100 mm	76.2 mm	1.21 kg

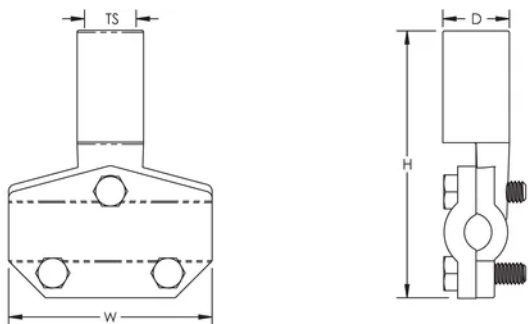
Table 2/2

Catalog Number	Certifications
LPC431	E202878-Combined_CoC, E202878-Combined_CoC
LPLC431	

ADDITIONAL PRODUCT DETAILS

Where applicable, lead covering thickness is a minimum of 1/16" (1.59 mm) and is not included in the stated dimensions.

DIAGRAMS



WARNING

nVent products shall be installed and used only as indicated in nVent's product instruction sheets and training materials. Instruction sheets are available at www.nvent.com and from your nVent customer service representative. Improper installation, misuse, misapplication or other failure to completely follow nVent's instructions and warnings may cause product malfunction, property damage, serious bodily injury and death and/or void your warranty.

North America

+1.800.753.9221

Option 1 – Customer Care

Option 2 – Technical

Support

Europe

Netherlands:

+31 800-0200135

France:

+33 800 901 793

Europe

Germany:

800 1890272

Other Countries:

+31 13 5835404

APAC

Shanghai:

+ 86 21 2412 1618/19

Sydney:

+61 2 9751 8500



Our powerful portfolio of brands:

CADDY

ERICO

HOFFMAN

ILSCO

SCHROFF

TRACHTE