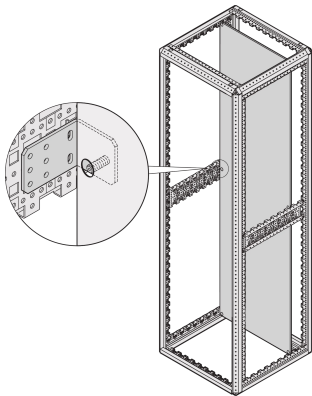


Varistar CP | Mounting Plate Strengthening Bracket

CATALOG NUMBER

23130-418



CERTIFICATIONS



FEATURES

Strengthening bracket increases static load-carrying capacity of the mounting plate up to 600 kg

Mounting pitch 25 mm in depth and 50 mm in height for partial-height mounting

PRODUCT ATTRIBUTES

Product Type: Bracket

Product Family: Varistar CP

Type: Mounting Bracket

Works With: Cabinet; Varistar CP

Material: Steel

Finish: Powder Coated

Color: Black Grey

Color Code: RAL 7021

Package Quantity: 2

Gross Weight: 0.682kg

WARNING

nVent products shall be installed and used only as indicated in nVent's product instruction sheets and training materials. Instruction sheets are available at www.nvent.com and from your nVent customer service representative. Improper installation, misuse, misapplication or other failure to completely follow nVent's instructions and warnings may cause product malfunction, property damage, serious bodily injury and death and/or void your warranty.

North America

All locations
+1.763.422.2661
Chat with us:
nvent.com/schroff

Europe

Straubenhardt, Germany
+49.7082.794.0
Betschdorf, France
+33.3.88.90.64.90
Warsaw, Poland
+48.22.209.98.35
Assago, Italy
+39.02.932.7141
Chat with us:
nvent.com/schroff

Asia

Shanghai, China
+86.21.2412.6943
Qingdao, China
+86.532.8771.6101
Singapore
+65.6768.5800
Shin-Yokohama, Japan
+81.45.476.0271
Chat with us:
nvent.com/schroff

Middle East & India

Dubai, United Arab
Emirates
+971.4.378.1700
Bangalore, India
+91.80.6715.2001
Istanbul, Turkey
+90.216.250.7374
Chat with us:
nvent.com/schroff



Our powerful portfolio of brands:

CADDY ERICO HOFFMAN ILSCO SCHROFF TRACHTE