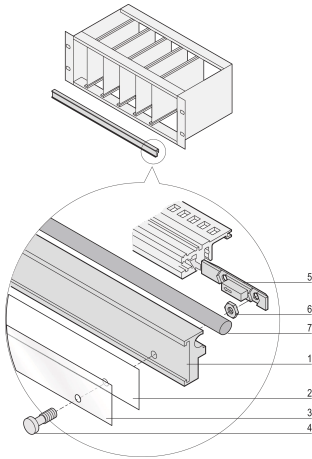


EuropacPRO Central Locking, 84 HP

CATALOG NUMBER

24560-167



Can be fitted to front and rear horizontal rails if PCBs without front panel are inserted in the subrack.

CERTIFICATIONS



FEATURES

Can be used if PCBs without front panels are inserted in the subrack

The retaining rail provides common locking of PCBs and acts as the identification plate

For 84 HP EuropacPRO subracks only

PRODUCT ATTRIBUTES

Product Type: Support Rail

Product Family: EuropacPRO

Works With: Subracks

Material: Aluminum

Rack Width: 84HP

Package Quantity: 1

Finish: Anodized

Net Weight: 0.12kg

WARNING

nVent products shall be installed and used only as indicated in nVent's product instruction sheets and training materials. Instruction sheets are available at www.nvent.com and from your nVent customer service representative. Improper installation, misuse, misapplication or other failure to completely follow nVent's instructions and warnings may cause product malfunction, property damage, serious bodily injury and death and/or void your warranty.

North America

All locations
+1.763.422.2661
Chat with us:
nvent.com/schroff

Europe

Straubenhardt, Germany
+49.7082.794.0
Betschdorf, France
+33.3.88.90.64.90
Warsaw, Poland
+48.22.209.98.35
Assago, Italy
+39.02.932.7141
Chat with us:
nvent.com/schroff

Asia

Shanghai, China
+86.21.2412.6943
Qingdao, China
+86.532.8771.6101
Singapore
+65.6768.5800
Shin-Yokohama, Japan
+81.45.476.0271
Chat with us:
nvent.com/schroff

Middle East & India

Dubai, United Arab
Emirates
+971.4.378.1700
Bangalore, India
+91.80.6715.2001
Istanbul, Turkey
+90.216.250.7374
Chat with us:
nvent.com/schroff



Our powerful portfolio of brands:

CADDY ERICO HOFFMAN ILSCO SCHROFF TRACHTE